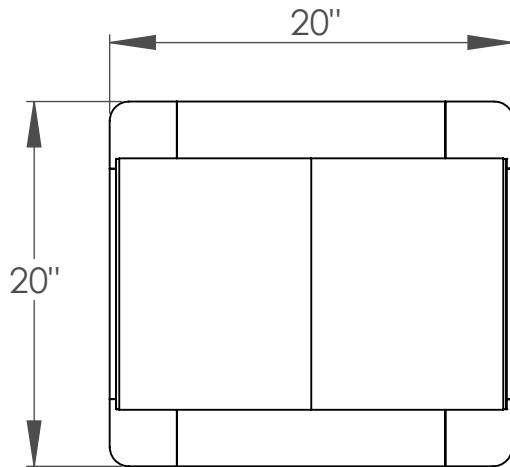
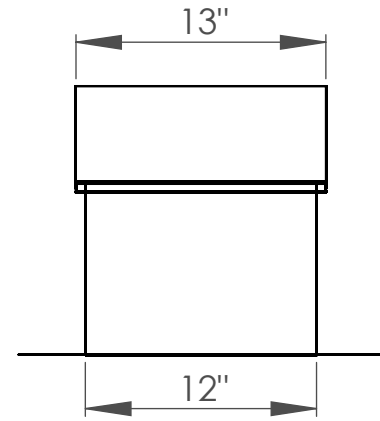
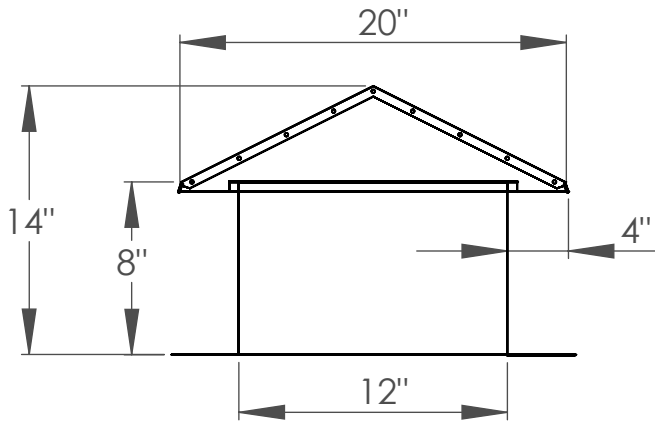
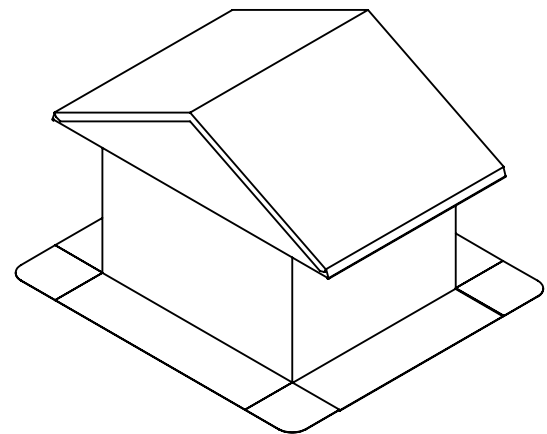
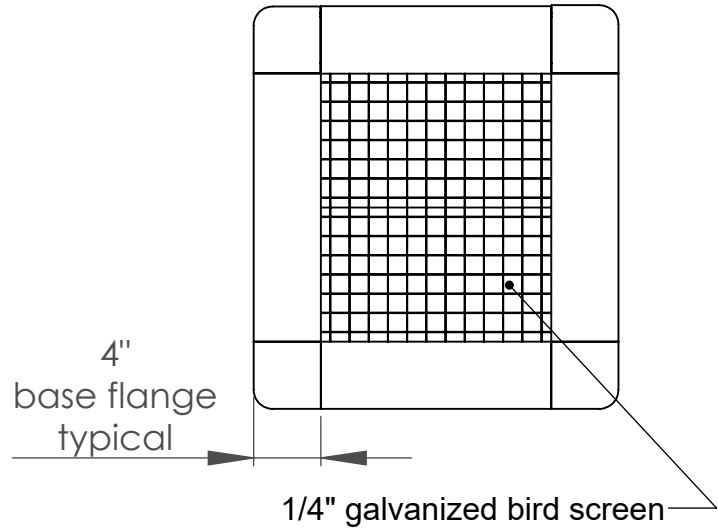


Built Up Roof Vent (BUR)

Part #	Size
600-2103HW	6" X 6"
600-2100HW	8" X 8"
600-2105HW	12" X 12"
600-2110HW	5" X 14"



12" x 12" illustrated



Features:

- Hotweld seams for high heat applications
- 26g galvanized
- 1/4" bird screen
- Custom sizes available by request
- Available in TPO Direct Weld

Innovative Ideas Since 1978

PROPRIETARY AND CONFIDENTIAL

THE INFORMATION CONTAINED IN THIS DRAWING IS THE SOLE PROPERTY OF MENZIES METAL PRODUCTS. ANY REPRODUCTION IN PART OR AS A WHOLE WITHOUT THE WRITTEN PERMISSION OF MENZIES METAL PRODUCTS IS PROHIBITED.

DATE: 7/8/18

DRAWN BY: ZV

COMMENTS:

DO NOT SCALE DRAWING

Part title & J#

SIZE

A

Built Up Roof Vent (BUR)

19370 - 60th Ave., Surrey, BC V3S 3M2
Ph: 604-530-0712
Fax: 604-530-8482
www.menzies-metal.com