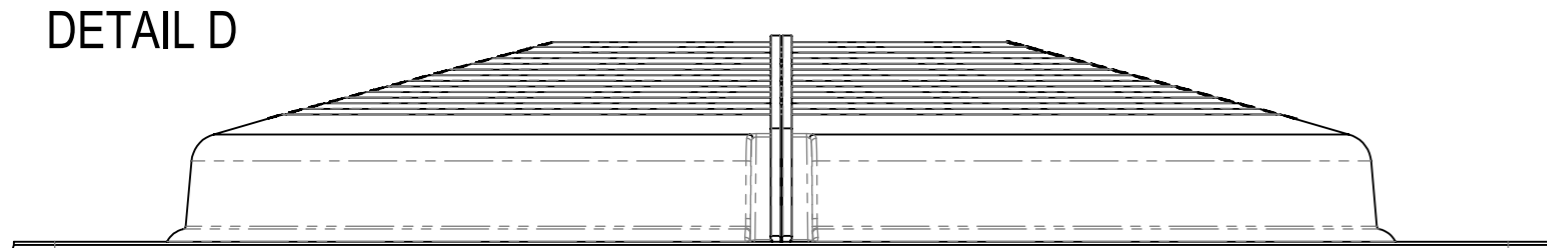
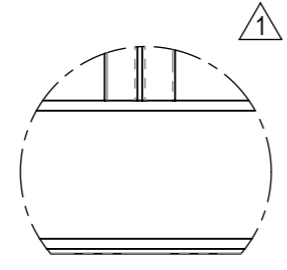
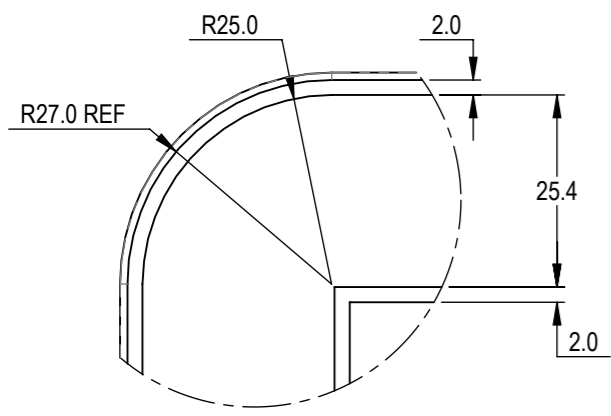
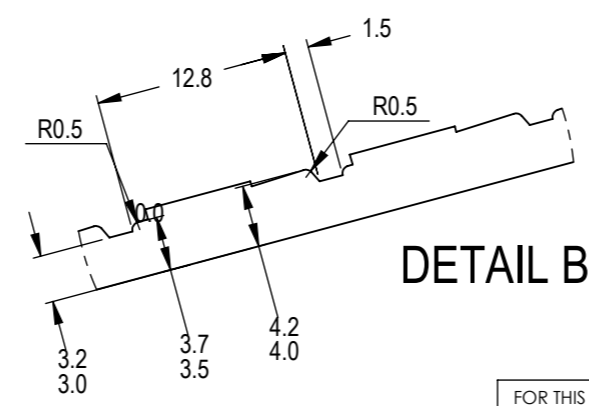
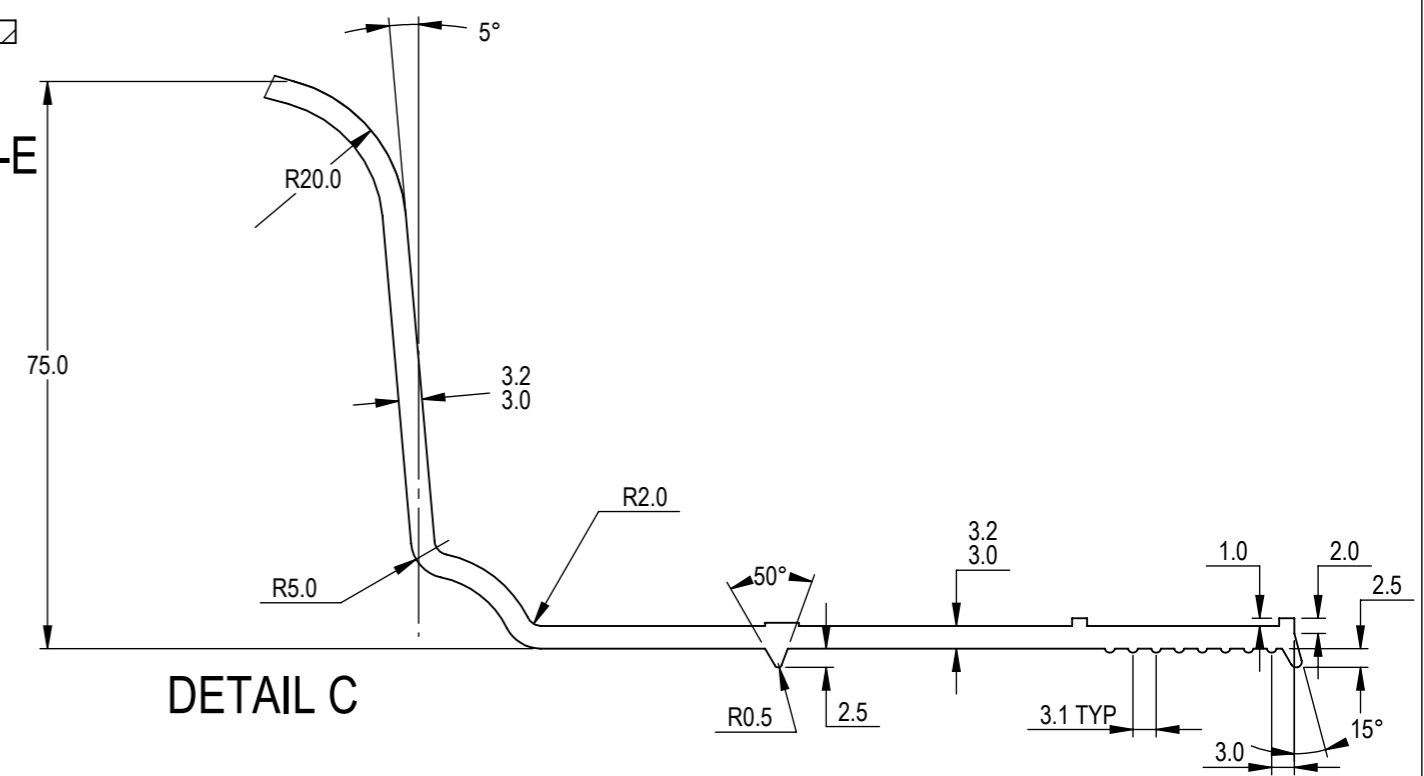
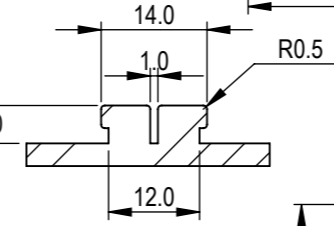
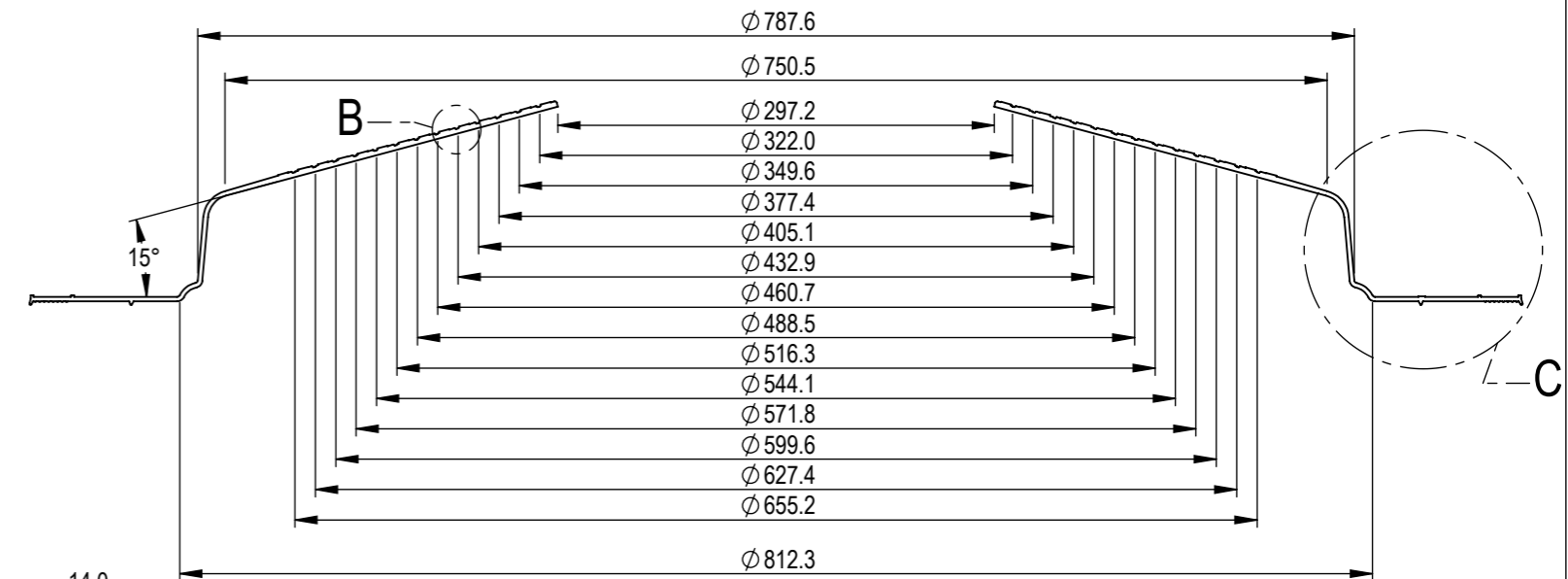
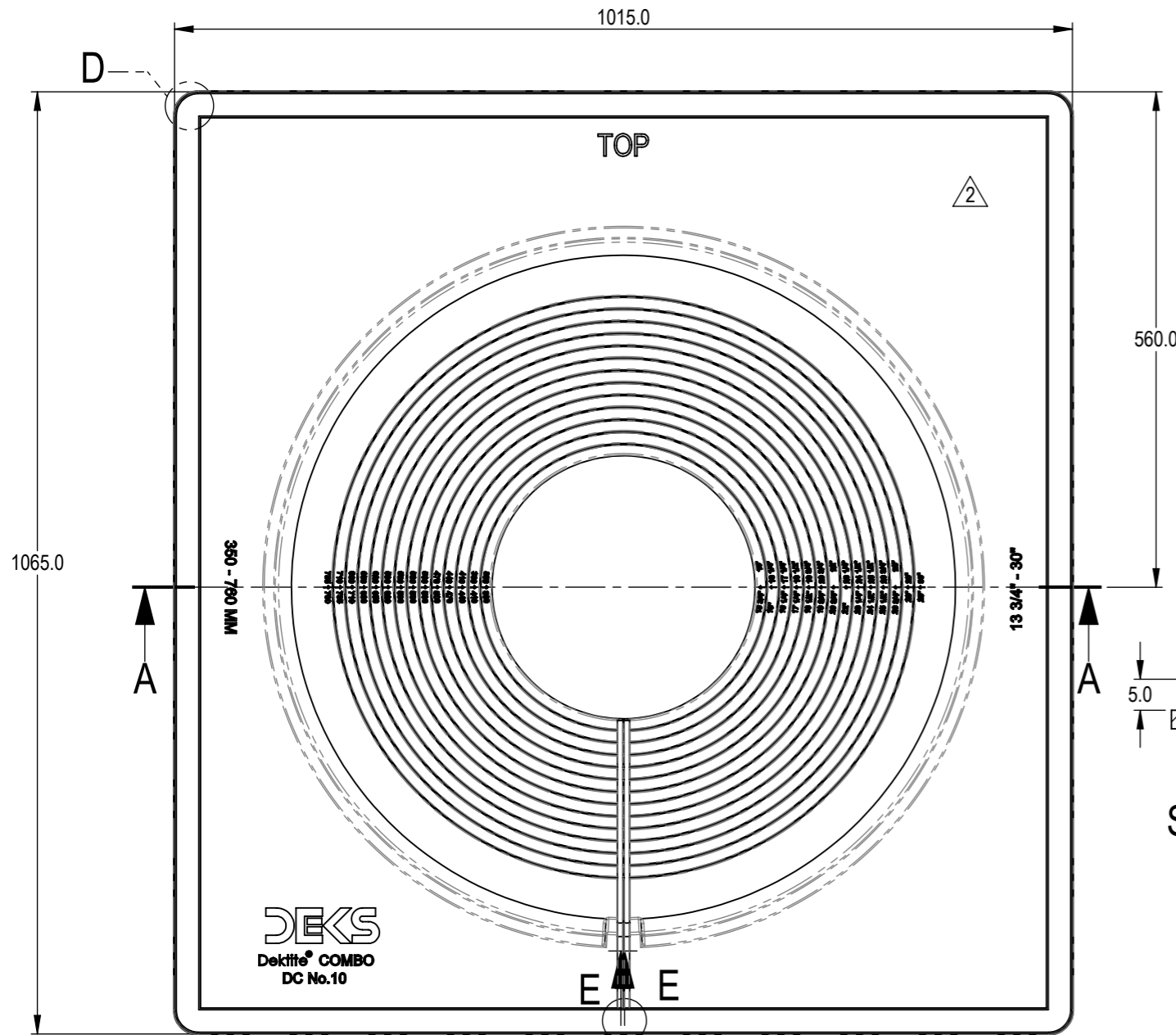


REVISIONS				
REV.	DESCRIPTION	DATE	DRAWN BY	APPROVED
0	AS ISSUED	27/07/2012	S.B	J.W
1	PIPE SIZE MARKINGS MODIFIED, DETAIL F ADDED	5/12/2012	S.B	J.W
2	SHEET TRIMMING MARKING RIBS REMOVED	14/12/2012	S.B	J.W



FOR THIS DRAWING WE RESERVE ALL RIGHTS. WITHOUT OUR PERMISSION IT MAY NEITHER BE COPIED OR MADE ACCESSIBLE TO THIRD PERSONS. ALL PATENT, TRADEMARK AND OTHER RIGHT IN AND TO THIS DRAWING AND DESIGN ARE EXPRESSLY RESERVED BY DEKS INDUSTRIES PTY LTD.

UNLESS OTHERWISE SPECIFIED: DIMENSIONS ARE IN MILLIMETRES  
 TOLERANCE FOR RUBBER MOULDED PARTS REFER ISO 3302 - CLASS M2  
 TOLERANCE FOR CAST PARTS REFER ISO 8062  
 TOLERANCE FOR ALL OTHERS ARE

DECIMALS	ANGLES
X ±1.0	X ±1°
X.X ±0.2	X.X ±0.3°
X.XX ±0.02	

DO NOT SCALE DRAWING IF IN DOUBT ASK

NAME	SIGNATURE	DATE
DRAWN	S.B	27/07/2012
APPV'D	J.W.	14/12/2012

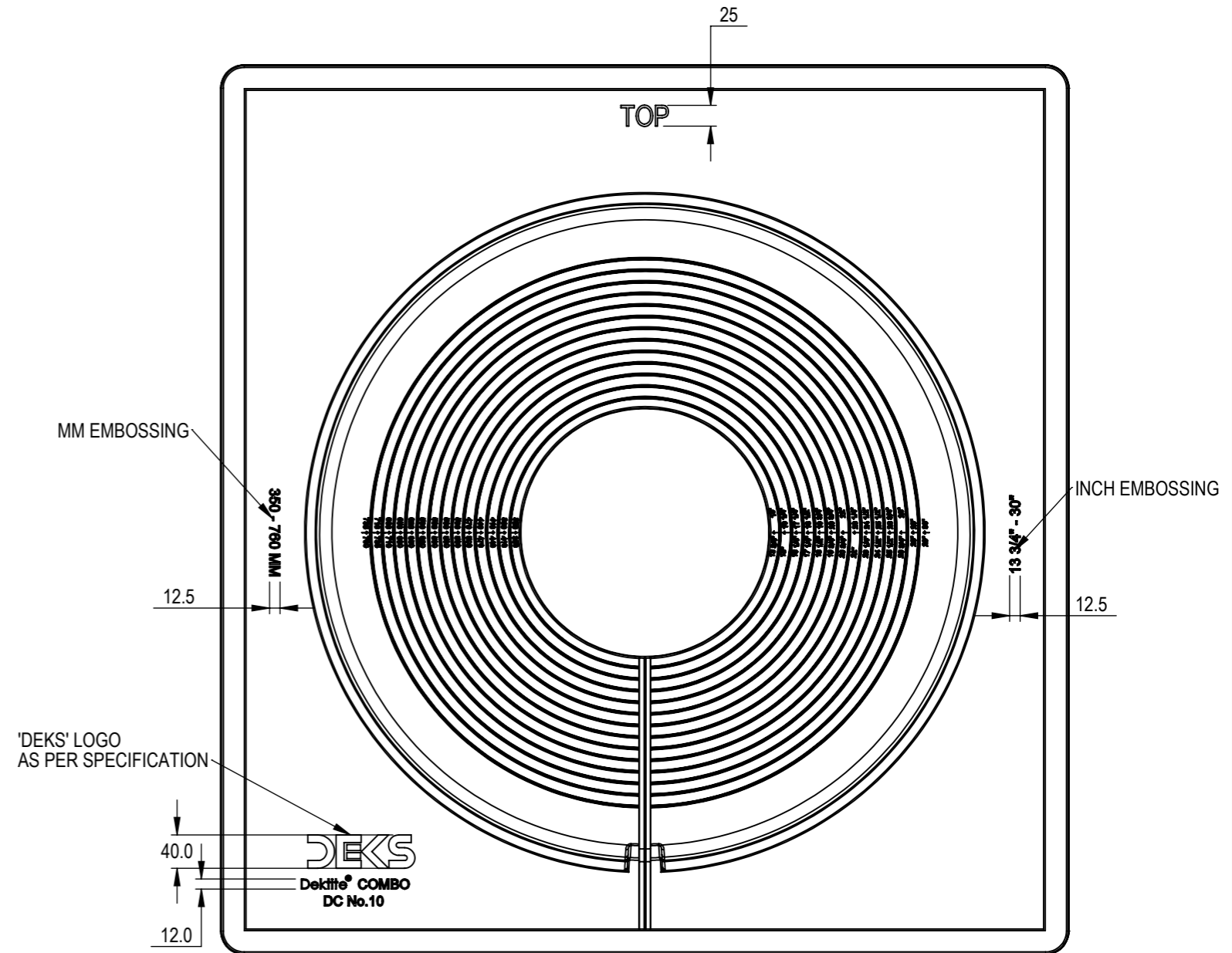
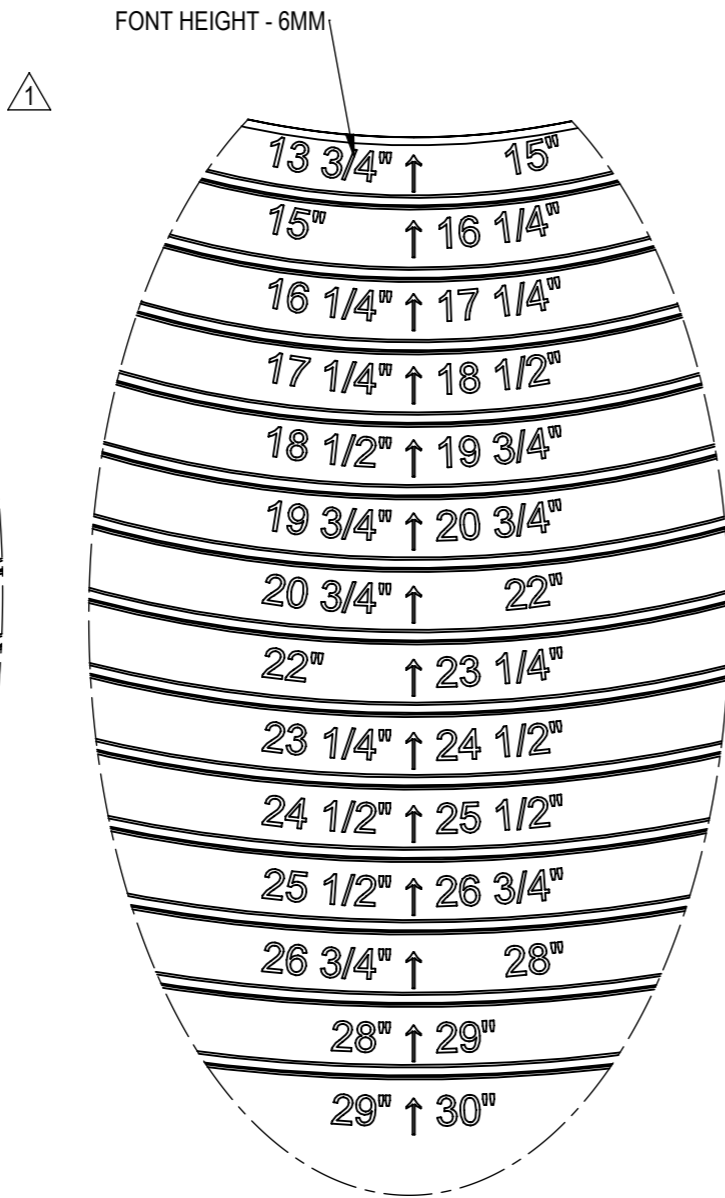
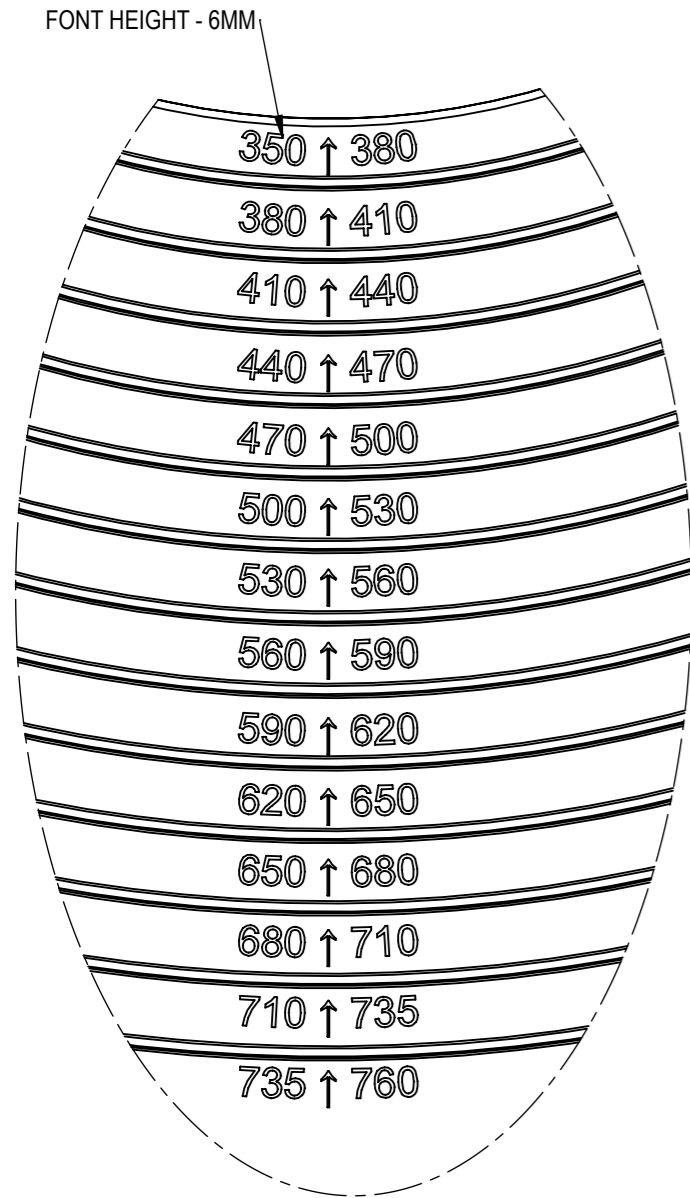
REVISION: 2  
3rd ANGLE PROJECTION

DRAWING No: DC110-R  
 DESCRIPTION: DEKTITE COMBO NO. 10 FLASHING  
 FILE LOCATION: Z:\Engineering Master File\\_MASTER DRAWING\FLASHINGS\DC - Dektite COMBO\DC110\SWX\DC110-R

PART No: DC110-R

**DEKS** DEKS Industries Pty Ltd  
 5/841 Mountain Highway, Bayswater, VIC 3153, Australia  
 Tel: +61 (03) 8727 8800 Fax: +61 (03) 8727 8850  
 E-mail: info@deks.com.au Web: www.deks.com.au

WEIGHT: 4706.368190g SCALE: NTS SHEET 1 OF 2



NOTES:

1. ALL FONTS TO BE ARIAL - REGULAR UNLESS OTHER WISE SPECIFIED.
2. FONT THICKNESS - 0.4MM.

FOR THIS DRAWING WE RESERVE ALL RIGHTS. WITHOUT OUR PERMISSION IT MAY NEITHER BE COPIED OR MADE ACCESSIBLE TO THIRD PERSONS. ALL PATENT, TRADEMARK AND OTHER RIGHT IN AND TO THIS DRAWING AND DESIGN ARE EXPRESSLY RESERVED BY DEKS INDUSTRIES PTY LTD.

UNLESS OTHERWISE SPECIFIED: DIMENSIONS ARE IN MILLIMETRES  
TOLERANCE FOR RUBBER MOULDED PARTS REFER ISO 3302 - CLASS M2  
TOLERANCE FOR CAST PARTS REFER ISO 8062  
TOLERANCE FOR ALL OTHERS ARE

DECIMALS	ANGLES
X ±1.0	X ±1°
X.X ±0.2	X.X ±0.3°
X.XX ±0.02	

DO NOT SCALE DRAWING  
IF IN DOUBT ASK

DRAWING No:  
DC110-R  
DESCRIPTION:  
DEKTITE COMBO  
NO. 10 FLASHING  
FILE LOCATION:  
Z:\Engineering Master File\\_MASTER DRAWING\FLESHINGS\DC - Deklite  
COMBO\DC110\SWX\  
DC110-R

PART No:  
DC110-R

NAME	SIGNATURE	DATE
DRAWN	S.B.	27/07/2012
APPV'D	J.W.	14/12/2012

REVISION: 2  
3rd ANGLE  
PROJECTION



DEKS Industries Pty Ltd  
5/841 Mountain Highway, Bayswater, VIC 3153, Australia  
Tel: +61 (03) 8727 8800 Fax: +61 (03) 8727 8850  
E-mail: info@deks.com.au Web: www.deks.com.au

A3

MATERIAL: EPDM 56110TN

FINISH:

WEIGHT: 4706.368190g

SCALE: NTS

SHEET 2 OF 2