

Dec-Klips

better decks faster

Menzies Metal Products



Dec-Klips are the premier
problem solver for building
wood decks

What are the **problems** associated with building and maintaining wood or composite decks?

1. Consistency is required to achieve perfect, or even good, spacing of deck boards. Poor spacing looks like merde.

2. **Labor cost** is incurred with proper setting and spacing- time is money. A labor saver will pay for itself in setting time alone.

3. Exposed fasteners are ugly, require maintenance. Exposed galvanized nails can bleed black onto the wood finish. Having no exposed fastener is clearly better. Ask *any* architect.

4. Fastening deck boards directly to joists provides a shaded, unseen surface for moisture to linger. This can inhibit drying out and promote wood decay. Raising the board to provide airspace at the joist would help here.

5. Standard fasteners deteriorate immediately. Galvanized will eventually. Stainless steel, aluminum or copper will last (Note- proudly- that these are standard materials in Menzies products).

These are the problems the Dec-Klip is designed to combat. It does the job so well that what seems like a high price will actually qualify as a bargain when looked at closely. This is a unique product, made in Canada.

Let's examine how the problems are dealt with one-by-one.

1.Consistency of spacing is automatic.
No measuring, no finessing, no
thinking even. The finished result is
perfect.

2. Labor saving is achieved here as well. Again, no measuring, no finessing, no thinking: just set, lay and go. Otherwise the measuring and finessing would happen with every board. That's board after board after board after board after..... Easier, faster better.

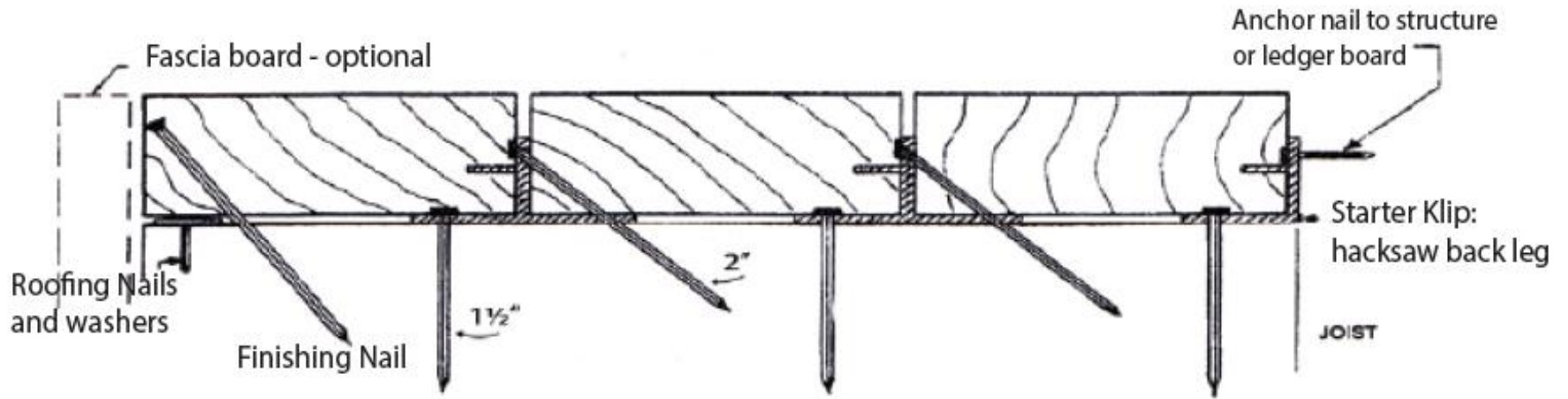
3. No **exposed fasteners** is the preferred professional finish. Dec-Klips are designed for this. Fasteners occur only on the joist and the side of the board.

4. **Stainless steel** is the material of choice and Dec-Klips measure up. Also note these are *heavy* stainless steel. Rust- no. Bleeding- no. Replacement or maintenance- never.

5. Dec-Klips are appropriate for softwood, hardwood and composite. That covers a lot of decks, and they could all use the benefits we know the clips confer.

**How are Dec-Klips installed?
Are they difficult or
complicated?**

No, the process is simple and also repetitive. Do the first one and then go, go, go.

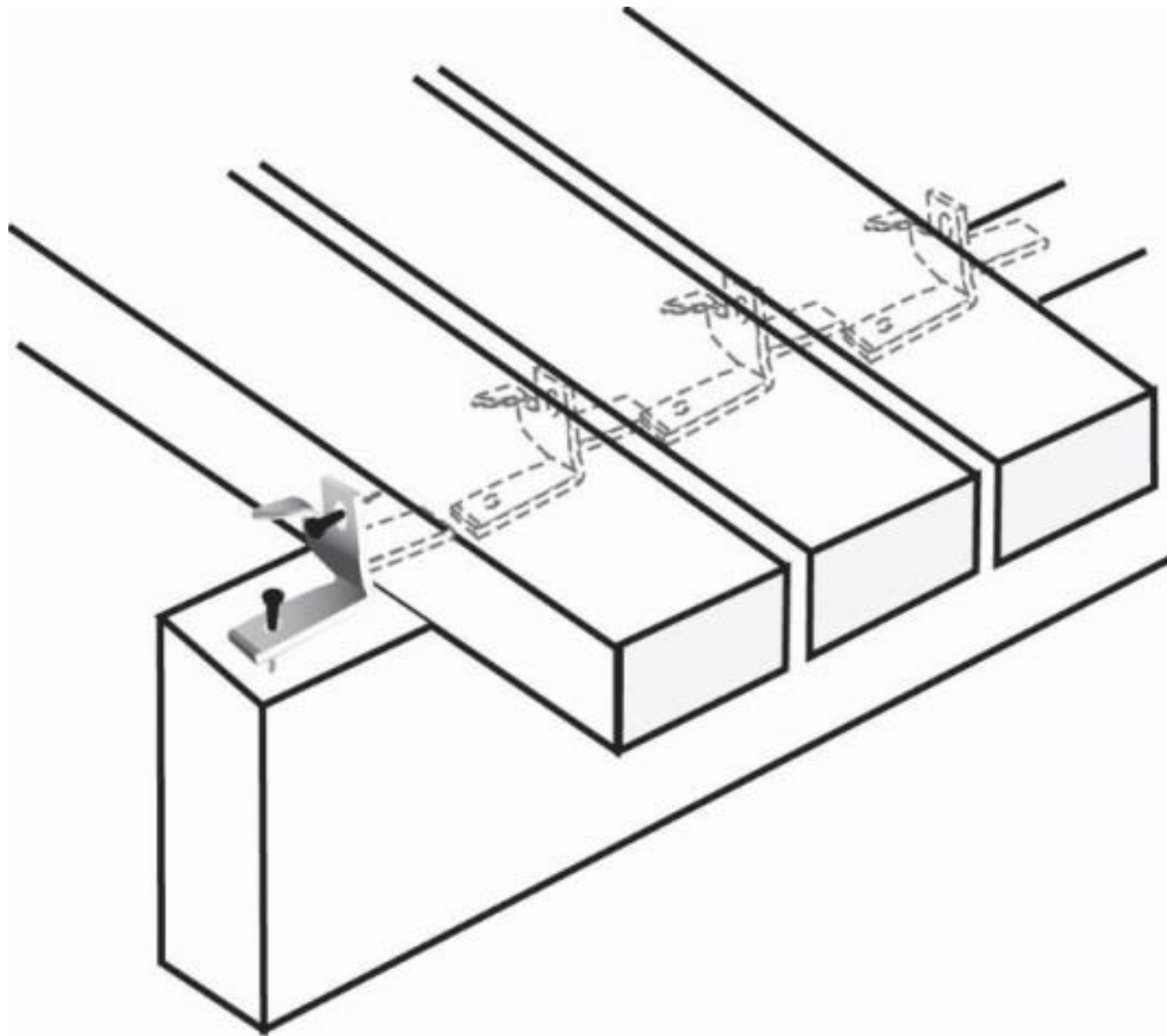


1. Following the technical drawing, all clips install the same but a starter clip at the deck's inside edge and a washer (or cutoff from starter clip) at the deck's outside edge are required. Make the starter clip by cutting off its outside edge leaving its side connection (the vertical) and its interior joist connection (the bottom).

2. Anchor the starter clip's vertical to the structure/ledger side. Then nail it down to the joist.

3. Set the deck board by pounding it into the Klip's V point.

4. Put the next Klip under the board (staggering slightly if needed), then nail at an angle through the deck board into the joist. Nail this clip to the joist as well.



5. Set the next board, the next clip.

6. Keep on rolling.

7. When you reach the edge of the deck, a washer or clip cutoff is used as a shim to raise the deck board uniformly with the rest.



1. Consistency
2. Labor cost
3. Exposed fasteners

All dealt with in a high quality stainless steel product made by Menzies.