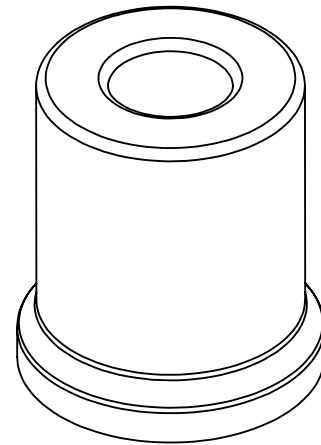
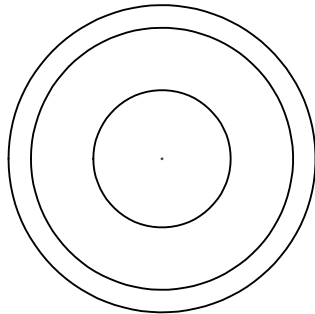
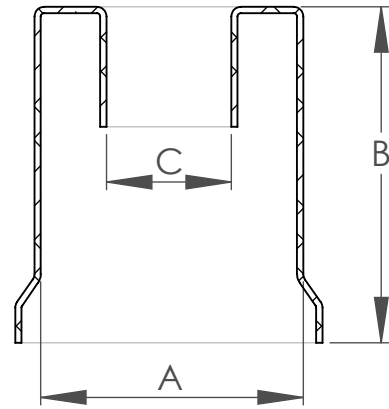
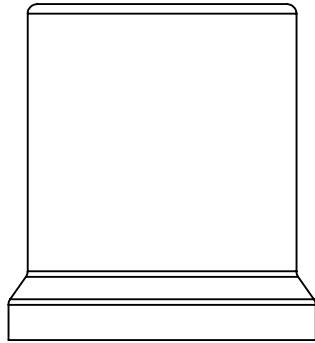


Econo Cap Spun Aluminum TPO

Part #	Size	Weight	Dim A	Dim B	Dim C
400-3137TPO	1-1/4"	.20 lbs/pc	2"	3-1/4"	1-1/8"
400-3138TPO	1-1/2"	.28 lbs/pc	2-3/8"	3-1/4"	1-1/2"
400-3140TPO	2"	.35 lbs/pc	2-3/4"	3-1/4"	2"
400-3145TPO	3"	.49 lbs/pc	4"	3-1/4"	2-3/4"
400-3150TPO	4"	.75 lbs/pc	5"	3-1/4"	3-3/4"
400-3155TPO	5"	.79 lbs/pc	6"	3-1/4"	4-3/4"
400-3157TPO	6"	.85 lbs/pc	7"	3-1/4"	5-3/4"



Features

- TPO coated
- Use with welded or spun aluminum stacks
- Small insert pipe sizes available by request where wrong size stack has been installed

Innovative Ideas Since 1978

PROPRIETARY AND CONFIDENTIAL

DATE: 04/02/16

Part title & J#

THE INFORMATION CONTAINED IN THIS DRAWING IS THE SOLE PROPERTY OF MENZIES METAL PRODUCTS. ANY REPRODUCTION IN PART OR AS A WHOLE WITHOUT THE WRITTEN PERMISSION OF MENZIES METAL PRODUCTS IS PROHIBITED.

DRAWN BY: ZV

COMMENTS:

DO NOT SCALE DRAWING

SIZE

A



Econo Cap Spun Aluminum TPO

19370 - 60th Ave., Surrey, BC V3S 3M2

Ph: 604-530-0712

Fax: 604-530-8482

www.menzies-metal.com