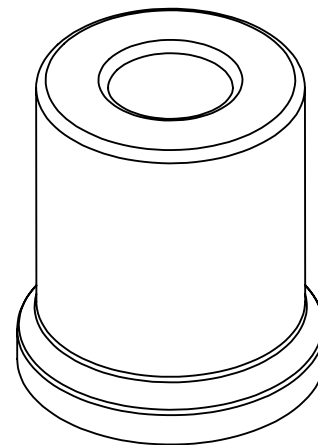
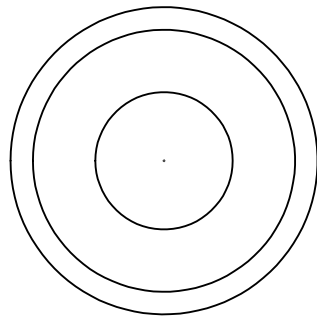
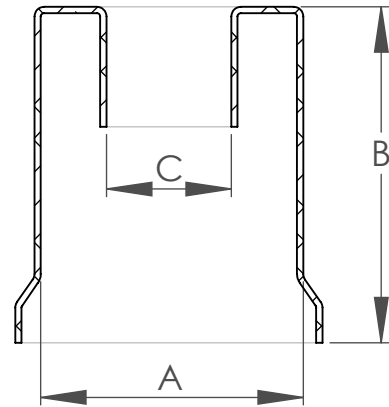
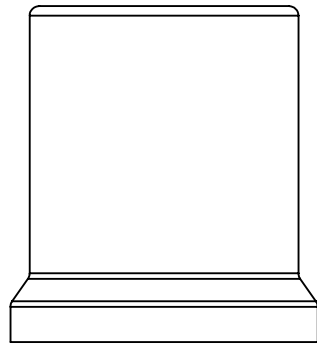


Econo Cap Spun Aluminum

Part #	Size	Weight	Dim A	Dim B	Dim C
400-3137	1-1/4"	.20 lbs/pc	2"	3-1/4"	1-1/8"
400-3138	1-1/2"	.28 lbs/pc	2-3/8"	3-1/4"	1-1/2"
400-3140	2"	.35 lbs/pc	2-3/4"	3-1/4"	2"
400-3145	3"	.49 lbs/pc	4"	3-1/4"	2-3/4"
400-3150	4"	.75 lbs/pc	5"	3-1/4"	3-3/4"
400-3155	5"	.79 lbs/pc	6"	3-1/4"	4-3/4"
400-3157	6"	.85 lbs/pc	7"	3-1/4"	5-3/4"



Features

- Use with welded or spun aluminum stacks
- Small insert pipe sizes available by request where wrong size stack has been installed
- Available in TPO Direct Weld

Innovative Ideas Since 1978

PROPRIETARY AND CONFIDENTIAL

THE INFORMATION CONTAINED IN THIS DRAWING IS THE SOLE PROPERTY OF MENZIES METAL PRODUCTS. ANY REPRODUCTION IN PART OR AS A WHOLE WITHOUT THE WRITTEN PERMISSION OF MENZIES METAL PRODUCTS IS PROHIBITED.

DATE: 04/02/16

DRAWN BY: ZV

COMMENTS:

DO NOT SCALE DRAWING

Part title & J#

Econo Cap Spun Aluminum

SIZE

A



19370 - 60th Ave., Surrey, BC V3S 3M2

Ph: 604-530-0712

Fax: 604-530-8482

www.menzies-metal.com