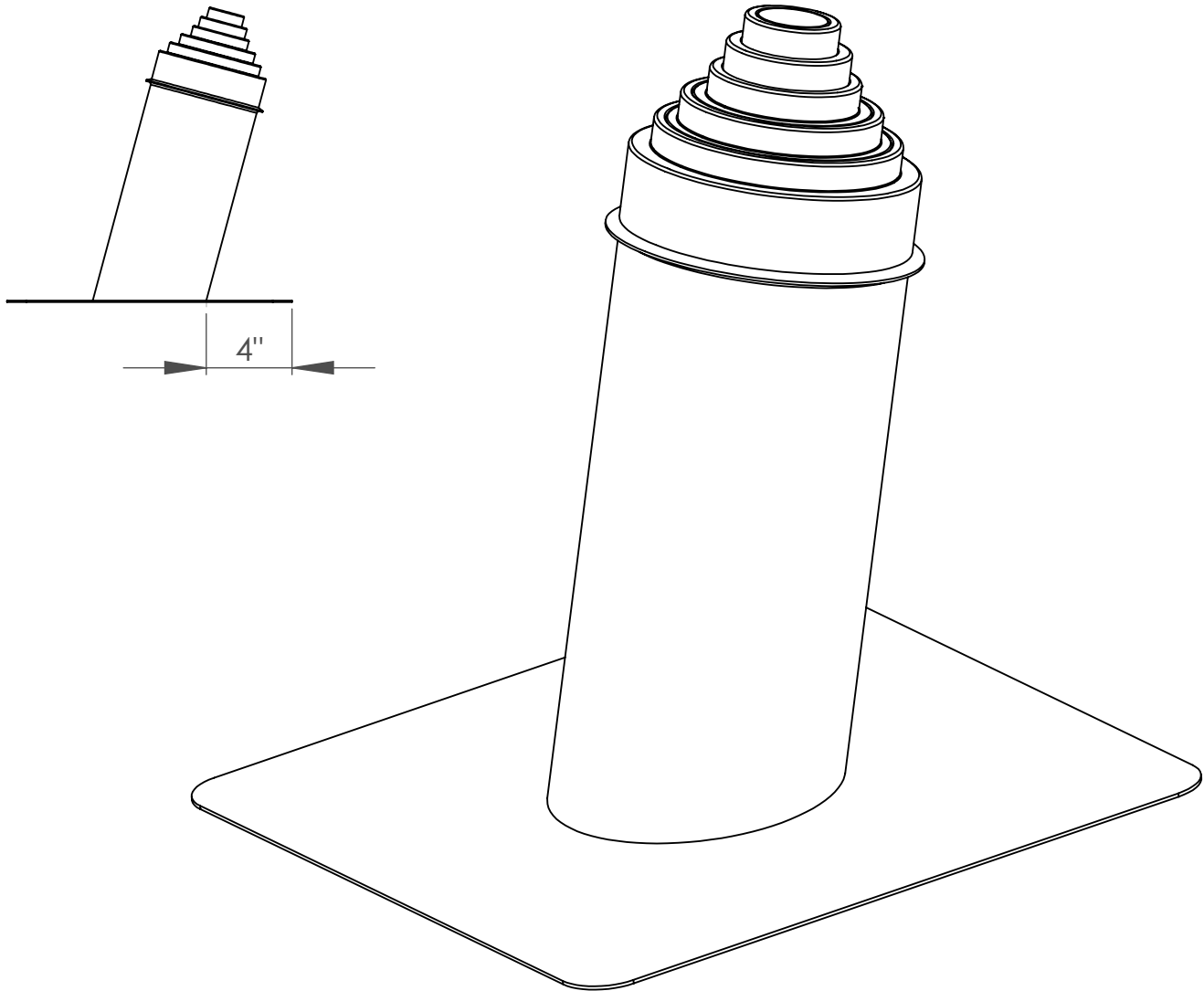


Multi-Flash Pipe Flashing Pitched

Part #	Size
400-4340P	1-1/4" - 4"



Features

- For pitched roof order by pitch
- 4" base flange
- Heavy aluminum extruded tube welded to flange
- Fits plumbing pipe sizes 1-1/4", 1-1/2", 2", 3" and 4". One flashing fits all, no measuring
- Easy tear-out plugs to fit pipe size on top and bottom seals
- Listed to meet Canadian and U.S. Standards
- Meets CSA B272 and IAPMO PS 64
- MUST specify pitch when ordering

Innovative Ideas Since 1978

PROPRIETARY AND CONFIDENTIAL

THE INFORMATION CONTAINED IN THIS DRAWING IS THE SOLE PROPERTY OF MENZIES METAL PRODUCTS. ANY REPRODUCTION IN PART OR AS A WHOLE WITHOUT THE WRITTEN PERMISSION OF MENZIES METAL PRODUCTS IS PROHIBITED.

DATE: 05/12/16

DRAWN BY: ZV

COMMENTS:

DO NOT SCALE DRAWING

Part title & J#

Multi-Flash Pipe Flashing Pitched

SIZE

A



19370 - 60th Ave., Surrey, BC V3S 3M2

Ph: 604-530-0712

Fax: 604-530-8482

www.menzies-metal.com