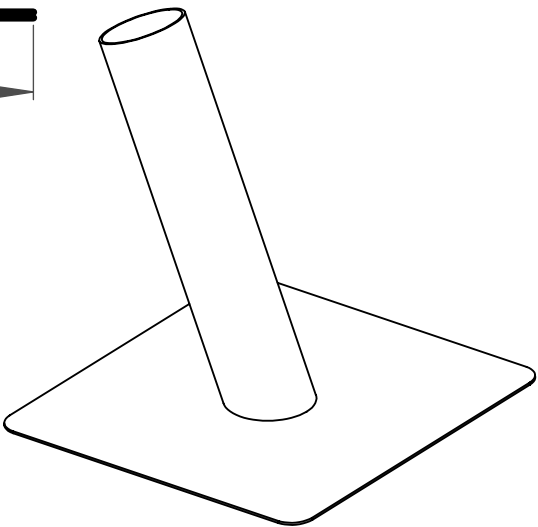
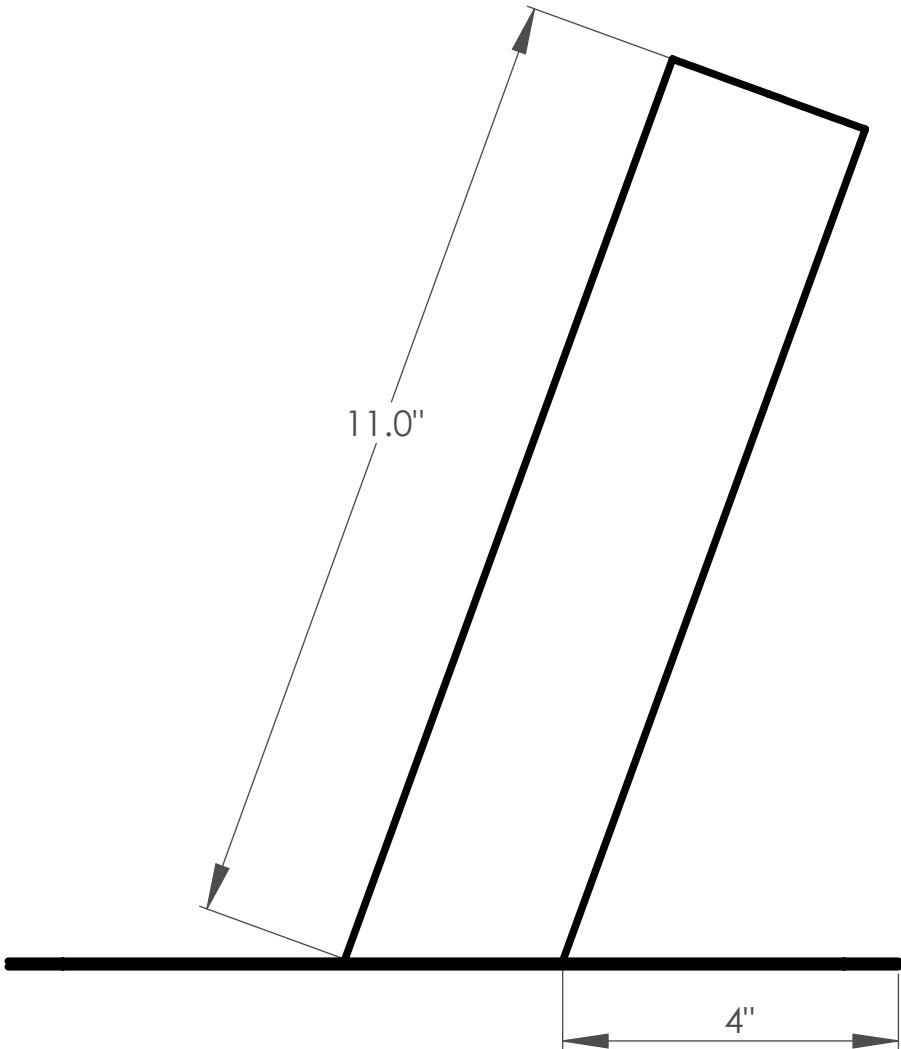


# Plumbing Stack Aluminum Pitched-Welded

Part #	Size
400-3105P	1-1/4"
400-3110P	1-1/2"
400-3115P	2"
400-3120P	3"
400-3125P	4"
400-3130P	5"
400-3131P	6"
4003132P	7"
4003133P	8"



## Features

- Extruded aluminum tube
- Available in sizes 1-1/4", 1-1/2", 2", 3", 4", 5", 6", 7" and 8"
- Custom sizes available by request
- Available in flat
- Listed to meet CSA B272 and IAPMO PS64
- Also available in TPO Direct Weld

Innovative Ideas Since 1978

PROPRIETARY AND CONFIDENTIAL

THE INFORMATION CONTAINED IN THIS DRAWING IS THE SOLE PROPERTY OF MENZIES METAL PRODUCTS. ANY REPRODUCTION IN PART OR AS A WHOLE WITHOUT THE WRITTEN PERMISSION OF MENZIES METAL PRODUCTS IS PROHIBITED.

DATE: 05/08/16

DRAWN BY: ZV

COMMENTS:

DO NOT SCALE DRAWING

Part title & J#

**Plumbing Stack Aluminum Pitched-Welded**

SIZE

**A**



19370 - 60th Ave., Surrey, BC V3S 3M2

Ph: 604-530-0712

Fax: 604-530-8482

[www.menzies-metal.com](http://www.menzies-metal.com)