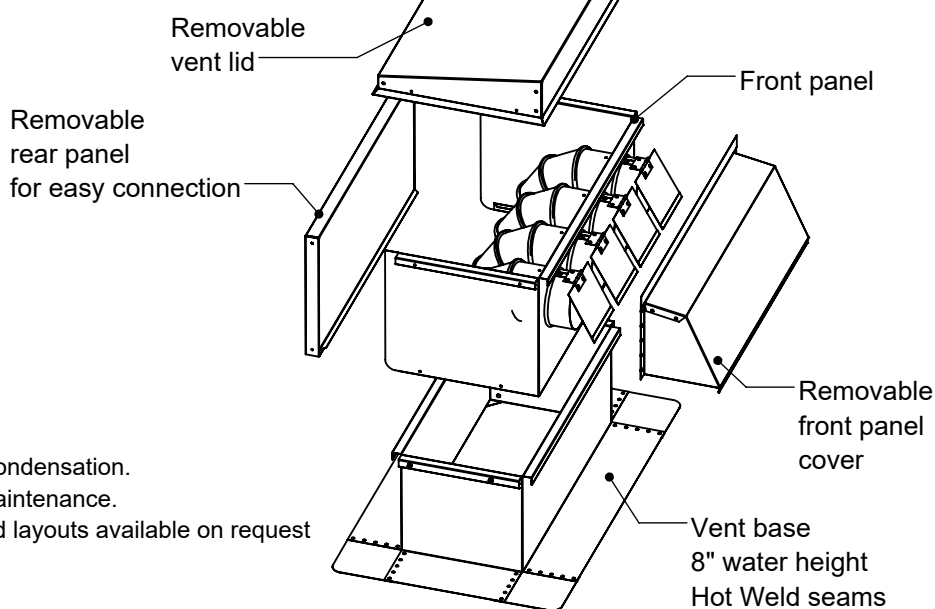
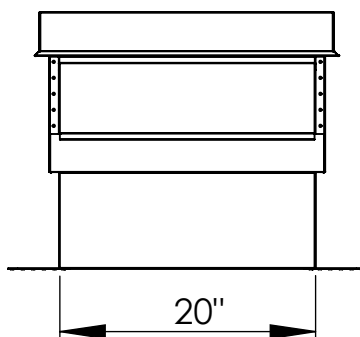
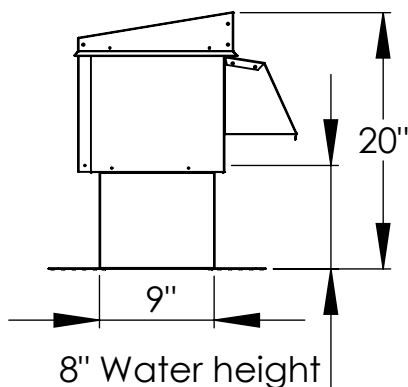
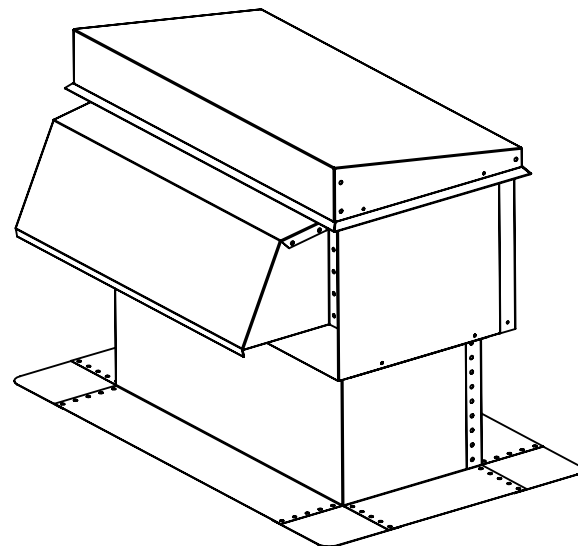
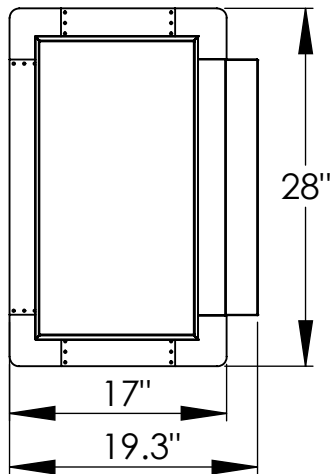


SL5000 Bath/Dryer Vent

Part #	Size	Color
600-2000	9" x 20"	Galvanized



Features

- Multiple vents in one box.
- Easy to install.
- Adjustable elbows for easy connections.
- Insulation around pipes (by others) prevents condensation.
- Front panel cover is removable for cleaning/maintenance.
- Multiple dampers, 4" standard. Other sizes and layouts available on request
- Also available in Menzies TPO Direct Weld™.

Innovative Ideas Since 1978

PROPRIETARY AND CONFIDENTIAL

THE INFORMATION CONTAINED IN THIS DRAWING IS THE SOLE PROPERTY OF MENZIES METAL PRODUCTS. ANY REPRODUCTION IN PART OR AS A WHOLE WITHOUT THE WRITTEN PERMISSION OF MENZIES METAL PRODUCTS IS PROHIBITED.

DATE: 7/18/16

DRAWN BY: ZV

COMMENTS:

DO NOT SCALE DRAWING

Part title & J#

SL5000 Bath/Dryer Vent

SIZE

A



19370 - 60th Ave., Surrey, BC V3S 3M2
 Ph: 604-530-0712
 Fax: 604-530-8482
www.menzies-metal.com