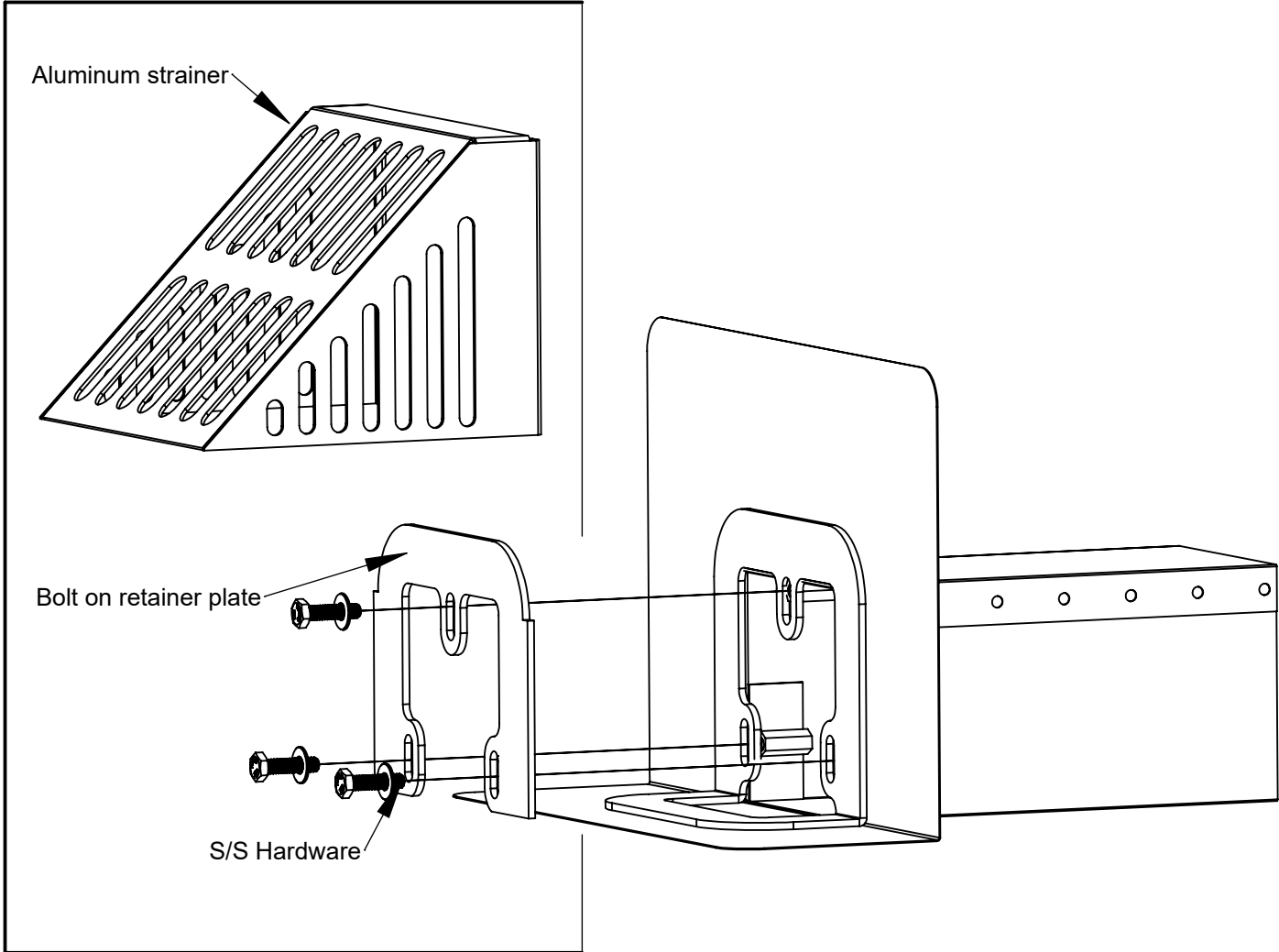


# Strainer Kit for Box Clamp-Tite Scupper

**Part #**  
300-3199



## Features

- Strainer kit fits Menzies copper and aluminum Clamp-Tite scuppers
- Can be installed on existing Menzies Clamp-Tite scuppers

## Instructions

- Bolt on retainer plate
- Drop strainer down

Innovative Ideas Since 1978

PROPRIETARY AND CONFIDENTIAL

THE INFORMATION CONTAINED IN THIS DRAWING IS THE SOLE PROPERTY OF MENZIES METAL PRODUCTS. ANY REPRODUCTION IN PART OR AS A WHOLE WITHOUT THE WRITTEN PERMISSION OF MENZIES METAL PRODUCTS IS PROHIBITED.

DATE: 02/22/17

DRAWN BY: SM

COMMENTS:

NOT TO SCALE

Part title & J#

**Strainer Kit for Box Clamp-Tite Scupper**

SIZE

**A**



19370 - 60th Ave., Surrey, BC V3S 3M2

Ph: 604-530-0712

Fax: 604-530-8482

[www.menzies-metal.com](http://www.menzies-metal.com)