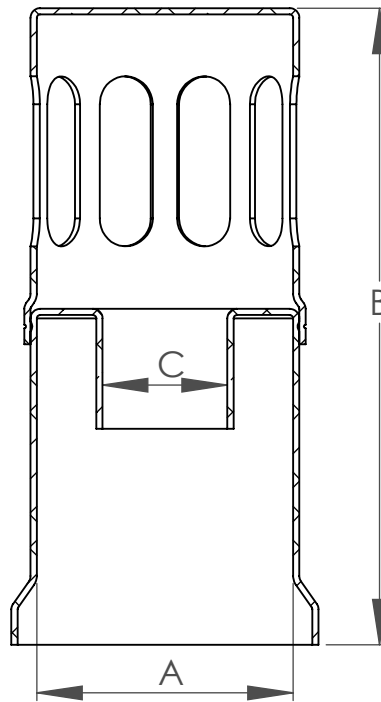
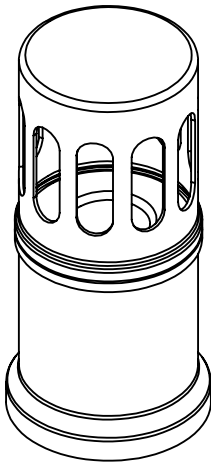
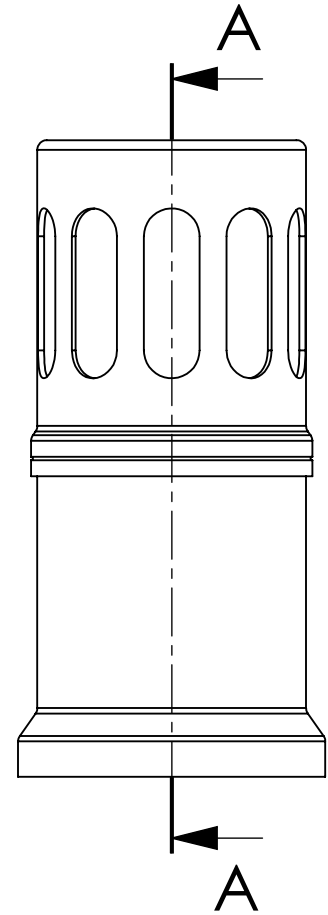


# Vandalproof Cap Aluminum TPO

Part #	Size	Dim A	Dim B	Dim C	Weight
400-4205TPO	1-1/4"	2"	6-1/2"	1-1/8"	.25 lbs/pc
400-4210TPO	1-1/2"	2-3/8"	6-1/2"	1-1/2"	.33 lbs/pc
400-4215TPO	2"	2-3/4"	6-1/2"	2"	.42 lbs/pc
400-4220TPO	3"	4"	6-1/2"	2-3/4"	.53 lbs/pc
400-4225TPO	4"	5"	6-1/2"	3-3/4"	.81 lbs/pc
400-4230TPO	5"	6"	6-1/2"	4-3/4"	.83 lbs/pc



SECTION A-A



## Features

- TPO coated
- Use with either welded or spun aluminum stacks
- Spun aluminum construction
- Pop-riquet to aluminum stack to prevent removal
- Works in same manner as lead cap
- Smaller insert pipe sizes available by request where the wrong size stack has been installed

Innovative Ideas Since 1978

**PROPRIETARY AND CONFIDENTIAL**

THE INFORMATION CONTAINED IN THIS DRAWING IS THE SOLE PROPERTY OF MENZIES METAL PRODUCTS. ANY REPRODUCTION IN PART OR AS A WHOLE WITHOUT THE WRITTEN PERMISSION OF MENZIES METAL PRODUCTS IS PROHIBITED.

DATE: 04/02/16

DRAWN BY: ZV

COMMENTS:

DO NOT SCALE DRAWING

Part title & J#

**Vandalproof Cap Aluminum TPO**

SIZE

**A**



19370 - 60th Ave., Surrey, BC V3S 3M2

Ph: 604-530-0712

Fax: 604-530-8482

[www.menzies-metal.com](http://www.menzies-metal.com)