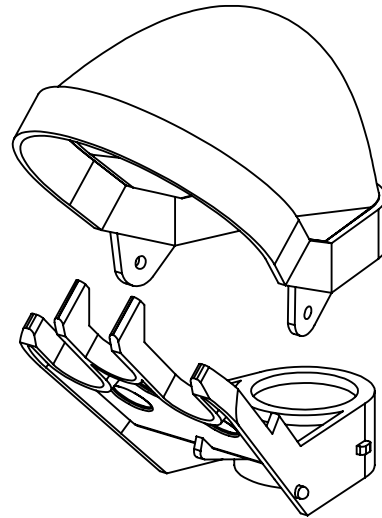
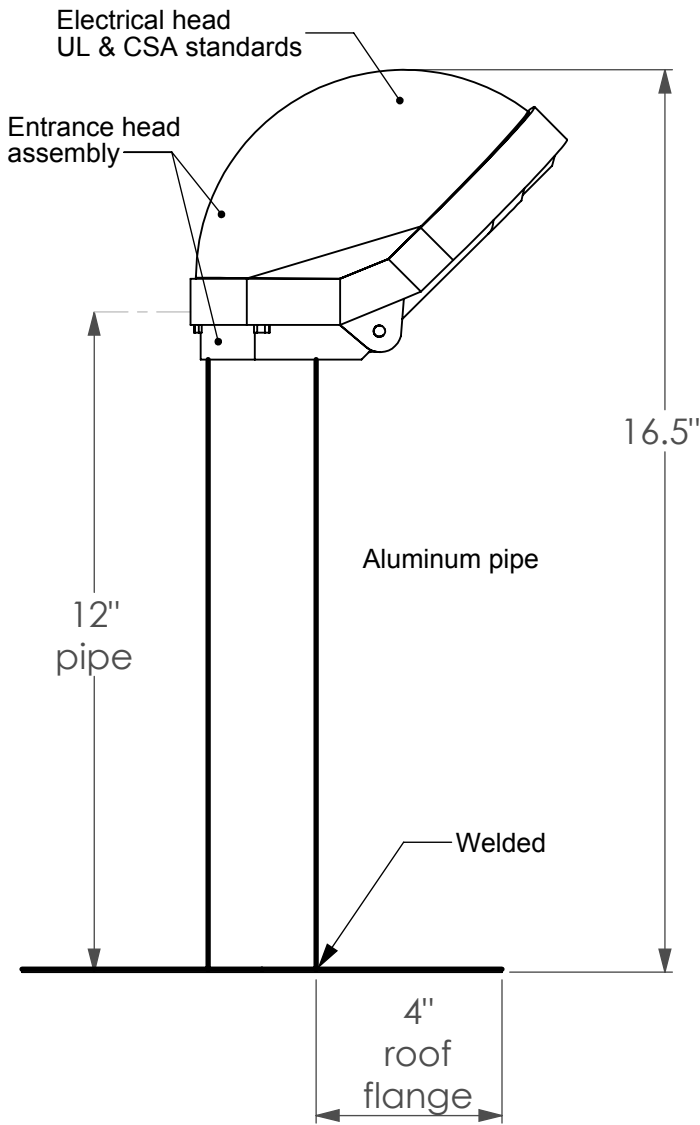


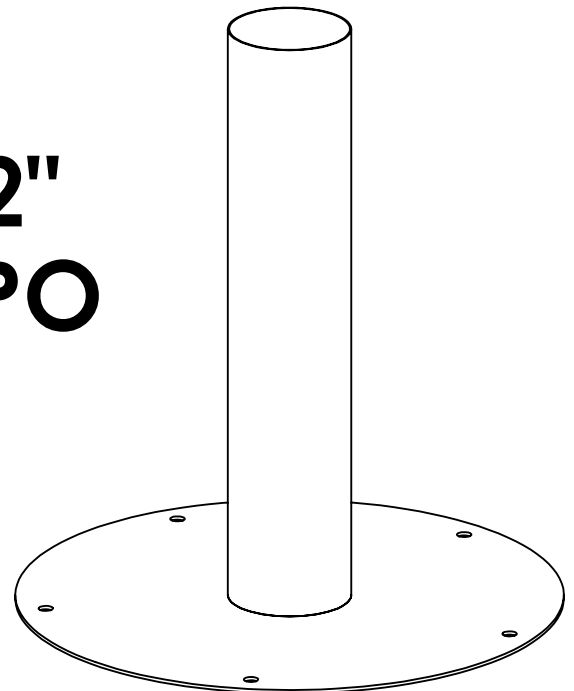
TPO Part #

600-1530TPO

2" Electrical Roof Flashing TPO



2" TPO



Features

- TPO coated flange
- Professional solution for electrical & gas roof install
- 4" roof flange - heavy duty aluminum for securing to roof deck
- Appropriate for solar applications
- Stack meets CSA standards
- Electrical head meets UL & CSA standards

Innovative Ideas Since 1978

PROPRIETARY AND CONFIDENTIAL

THE INFORMATION CONTAINED IN THIS DRAWING IS THE SOLE PROPERTY OF MENZIES METAL PRODUCTS. ANY REPRODUCTION IN PART OR AS A WHOLE WITHOUT THE WRITTEN PERMISSION OF MENZIES METAL PRODUCTS IS PROHIBITED.

DATE: 4/2/16

DRAWN BY: ZV

COMMENTS:

DO NOT SCALE DRAWING

Part title & J#

2" Electrical Roof Flashing TPO

SIZE

A



19370 - 60th Ave., Surrey, BC V3S 3M2

Ph: 604-530-0712

Fax: 604-530-8482

www.menzies-metal.com