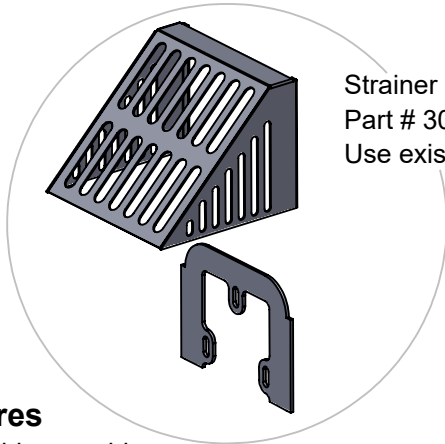
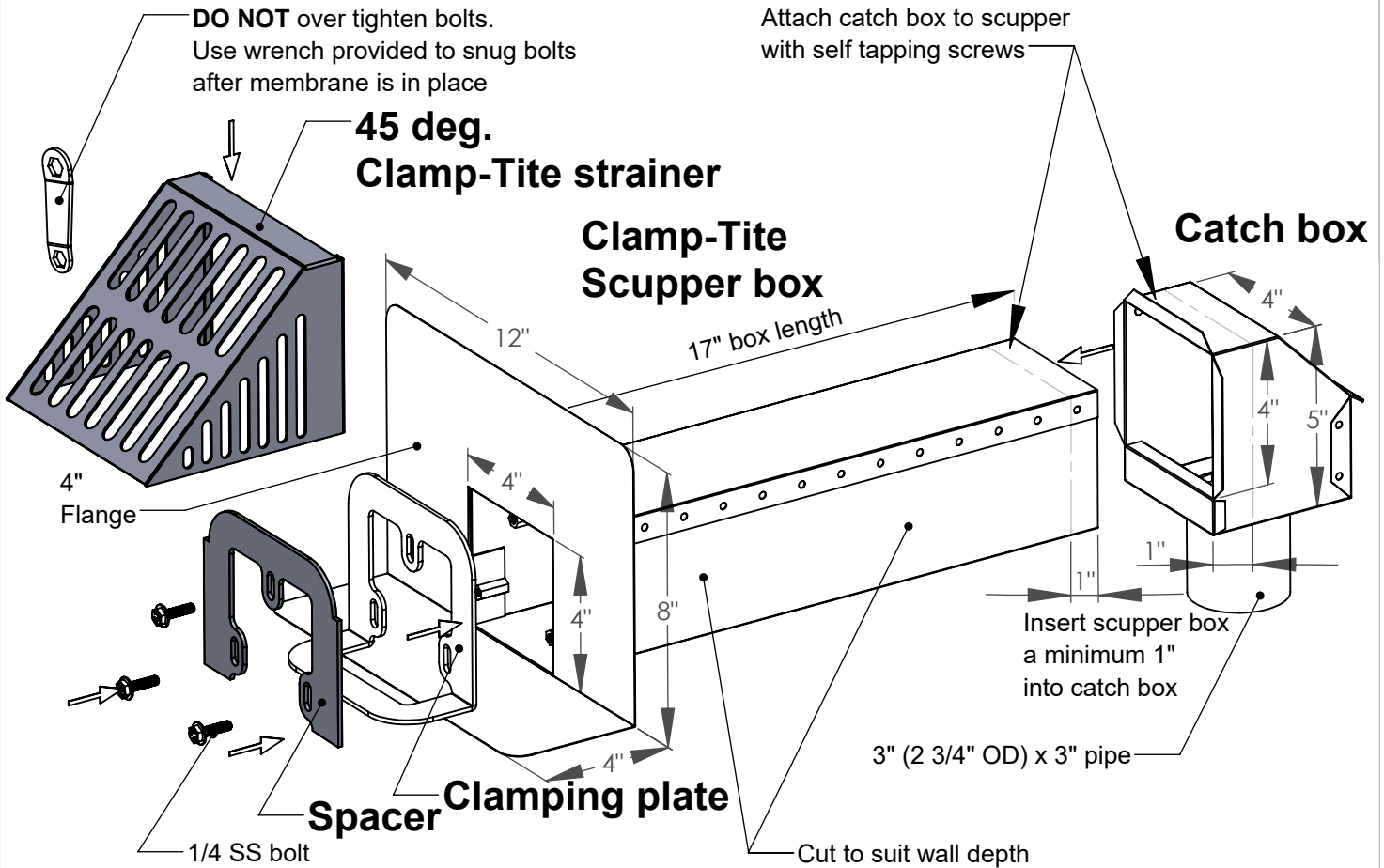
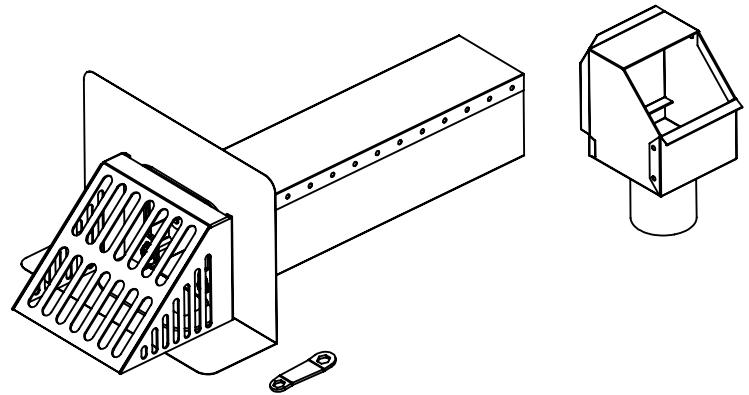


3" Box Clamp Scupper Copper

Part #	Size	Weight
300-3063	3"	4.45 lbs
300-3199	Strainer kit only	



Strainer kit sold separately
Part # 300-3199
Use existing bolts



Features

- Hotweld assembly
- All fasteners are stainless steel
- Available with TPO Direct Weld flange
- Longer outlet boxes available

Innovative Ideas Since 1978

PROPRIETARY AND CONFIDENTIAL

THE INFORMATION CONTAINED
IN THIS DRAWING IS THE SOLE
PROPERTY OF MENZIES METAL
PRODUCTS.
ANY REPRODUCTION IN PART OR
AS A WHOLE WITHOUT THE WRITTEN
PERMISSION OF MENZIES METAL
PRODUCTS IS PROHIBITED.

DATE: 06/25/17

DRAWN BY: ZV

COMMENTS:

DO NOT SCALE DRAWING

Part title & J#

3" Box Clamp Scupper Copper

SIZE

A



19370 - 60th Ave., Surrey, BC V3S 3M2
Ph: 604-530-0712
Fax: 604-530-8482
www.menzies-metal.com