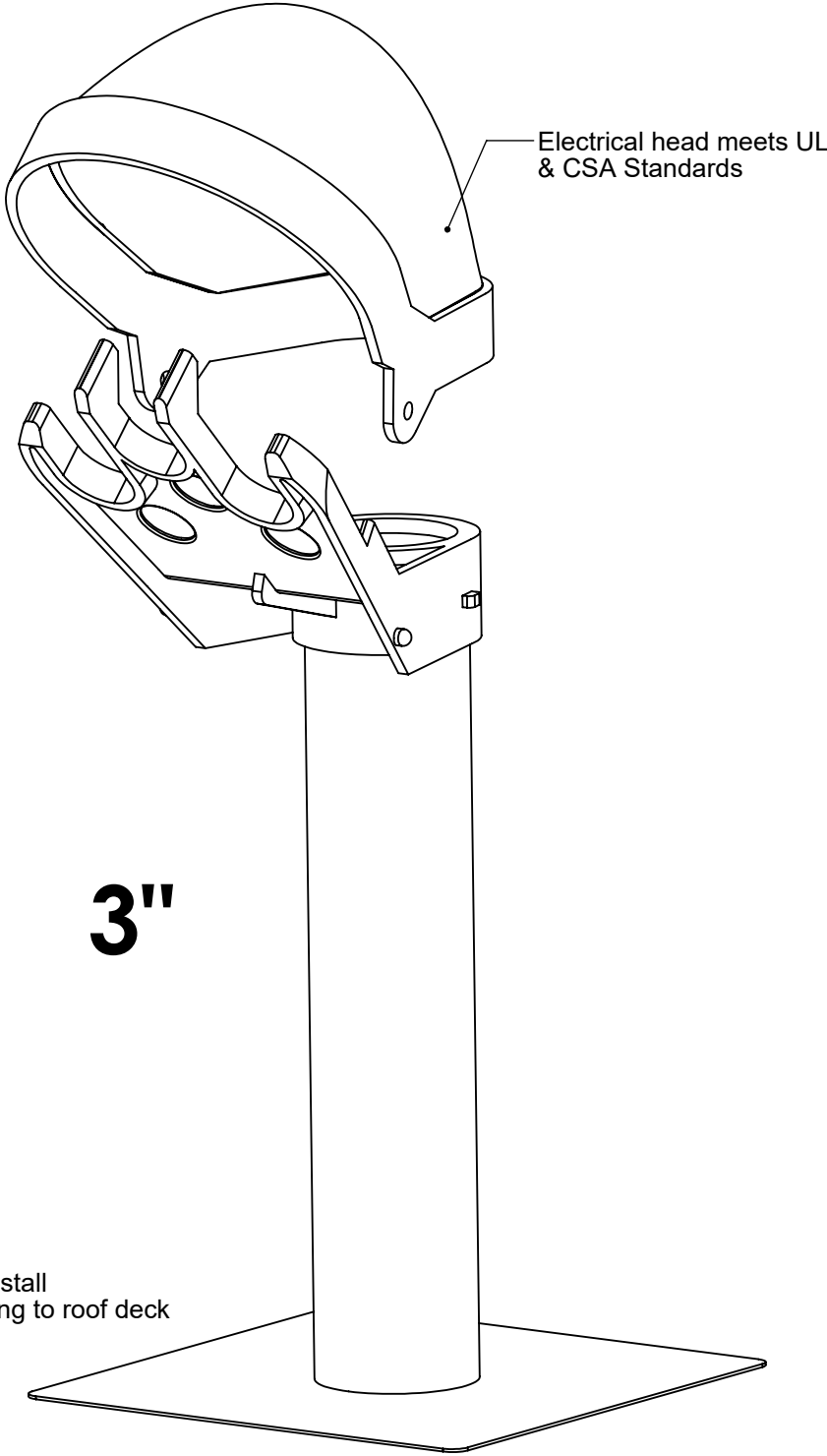
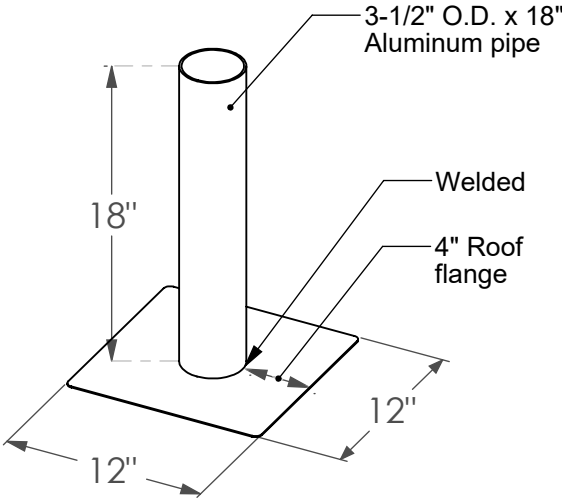


<b>Part #</b>
600-1550

# 3" Electrical Roof Flashing



**Features**

- Professional solution for electrical & gas roof install
- 4" roof flange - heavy duty aluminum for securing to roof deck
- Ideal for solar applications
- Stack meets CSA Standards
- Electrical head meets UL & CSA Standards

Innovative Ideas Since 1978	<b>PROPRIETARY AND CONFIDENTIAL</b> THE INFORMATION CONTAINED IN THIS DRAWING IS THE SOLE PROPERTY OF MENZIES METAL PRODUCTS. ANY REPRODUCTION IN PART OR AS A WHOLE WITHOUT THE WRITTEN PERMISSION OF MENZIES METAL PRODUCTS IS PROHIBITED.	DATE: 04/24/16	Part title & J#	<b>3" Electrical Roof Flashing</b>  19370 - 60th Ave., Surrey, BC V3S 3M2 Ph: 604-530-0712 Fax: 604-530-8482 <a href="http://www.menzies-metal.com">www.menzies-metal.com</a>
		DRAWN BY: ZV	COMMENTS:	
		DO NOT SCALE DRAWING	