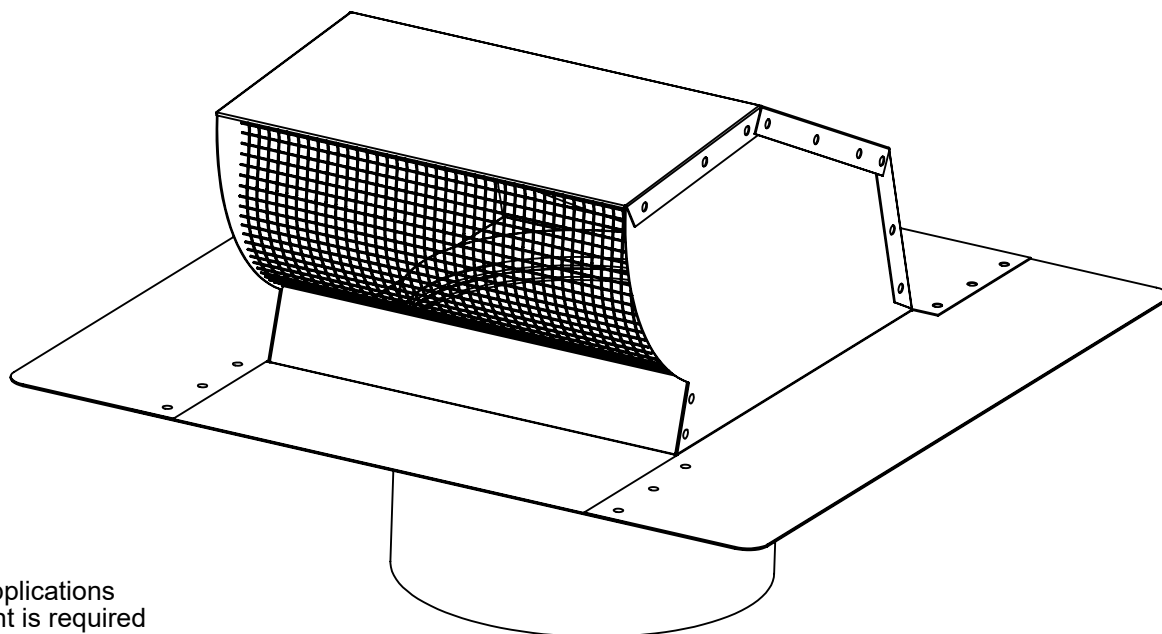
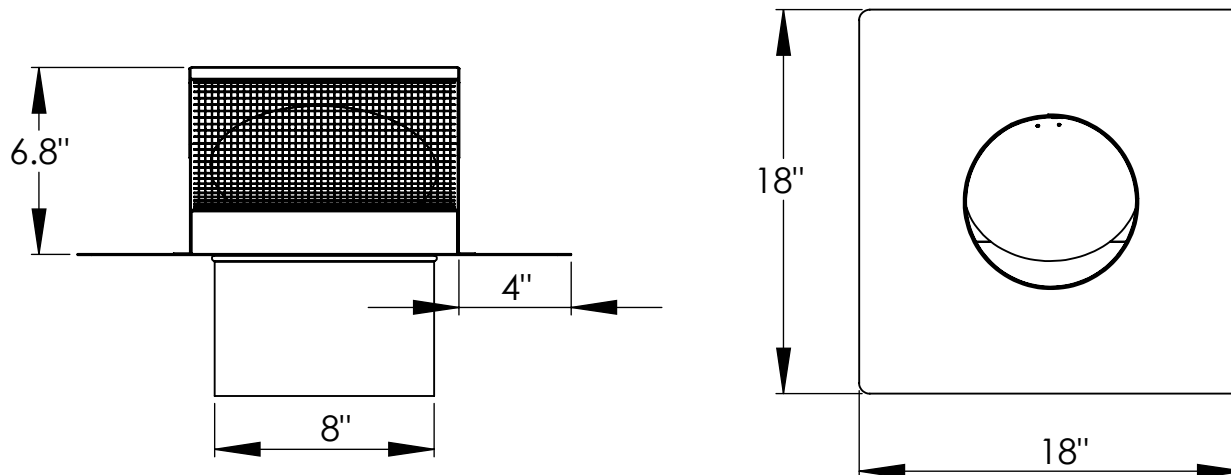


8" Metal Roof Stem Vent

Part #	Size	Color	Weight
600-2320	8"	Brown	5.10 lbs
600-2321	8"	Black	5.10 lbs
600-2322	8"	Charcoal	5.10 lbs



Features

- For sloped roof applications where a larger vent is required
- 8" pipe size
- Includes damper and screen

Innovative Ideas Since 1978

PROPRIETARY AND CONFIDENTIAL

DATE: 6/10/16

Part title & J#

THE INFORMATION CONTAINED IN THIS DRAWING IS THE SOLE PROPERTY OF MENZIES METAL PRODUCTS. ANY REPRODUCTION IN PART OR AS A WHOLE WITHOUT THE WRITTEN PERMISSION OF MENZIES METAL PRODUCTS IS PROHIBITED.

DRAWN BY: ZV

COMMENTS:

SIZE

A

DO NOT SCALE DRAWING



8" Metal Roof Stem Vent

19370 - 60th Ave., Surrey, BC V3S 3M2
 Ph: 604-530-0712
 Fax: 604-530-8482
www.menzies-metal.com