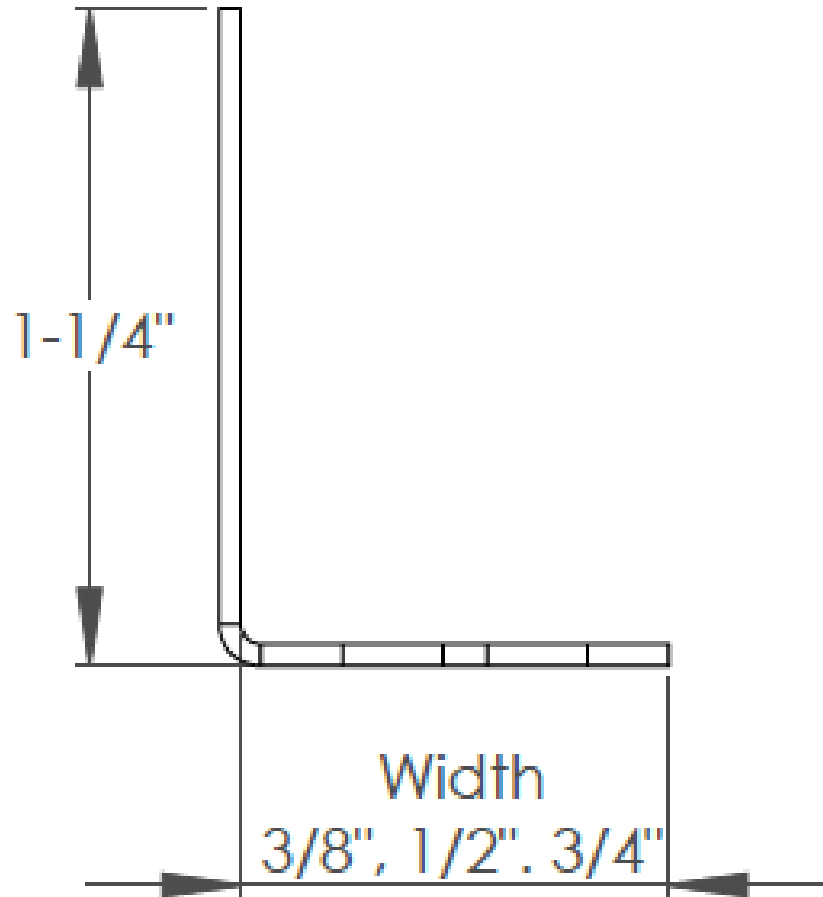
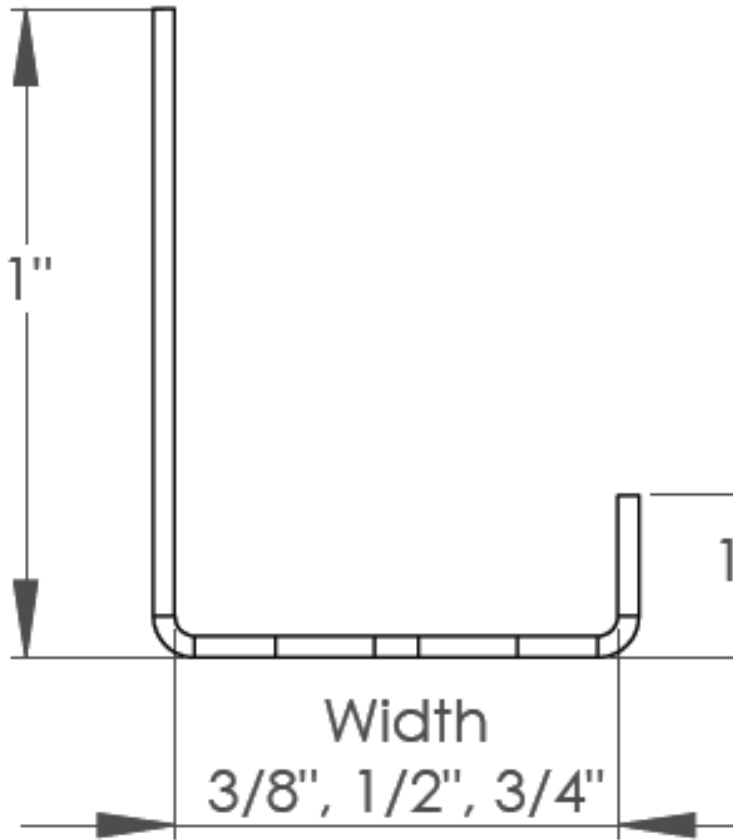


MENZIES METAL
BUG SCREEN
(perforated J and L metal)

COMES IN J AND L

No difference in application just contractor preference



WHAT IS IT FOR?

- Commonly called bug screen or rain screen, this flashing is installed on exterior walls to allow a free air space and allow drainage of any moisture that does get between the wall and the siding. Letting moisture develop in this area is asking for rot and mold problems. “Leaky condos”.
- BC building code requires (Div. B. Part 9, Section 9.27) the Rainscreen application for Coastal BC. Is also used in other parts of BC.

HOW IS IT INSTALLED

- On all exterior walls
- Vapor barrier is installed.
- Strips of pressure treated plywood are installed vertically most often 3/8", 1/2" or 3/4" x2" wide.
- The plywood strips run down into the corresponding size of J or L Perf at the base of the wall or over windows/doors.

Photo on installed L Bugscreen



Mesh Method



Advantages of Perf Alum Bugscreen

- Faster installation over other options rolled screen/mesh
- Lighter and easier to cut over Galv perf
- Less expensive compared to Rockwool/Coravent
- Aluminum is the perfect material for the application wont rust and is strong wont rip or damaged by growing vegetation

Conclusion

- The rainscreen application is a best practice that should be used by all builders to insure that their buildings are long lasting and problem free.
- Our Menzies Perforated Aluminum bugscreen is the best product for the job and like our other Menzies products makes the contractors job faster and easier.