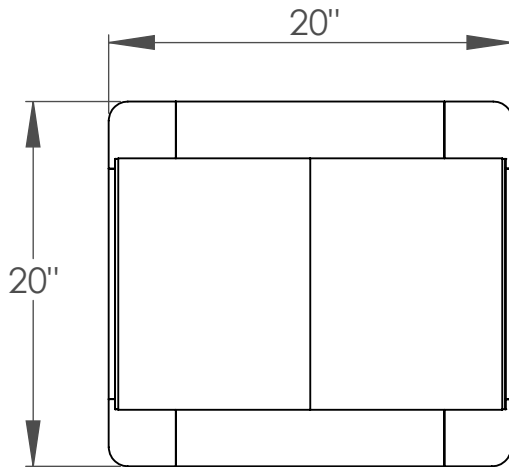
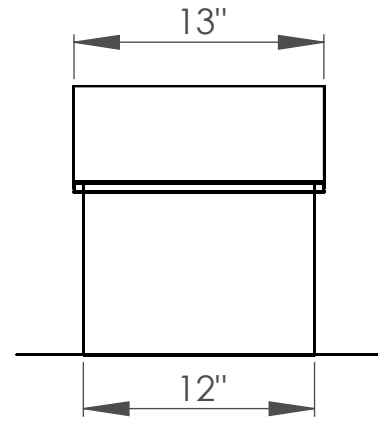
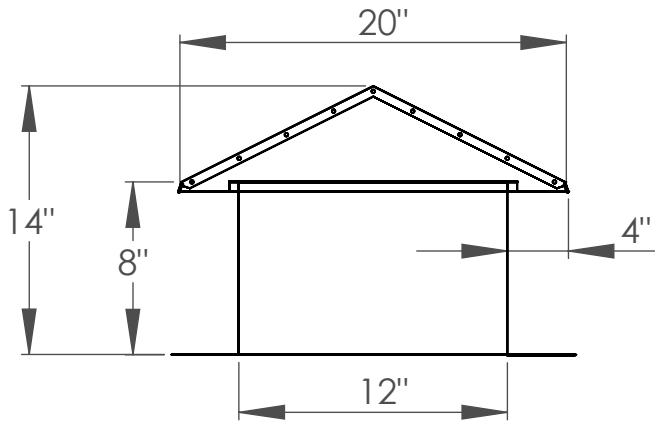
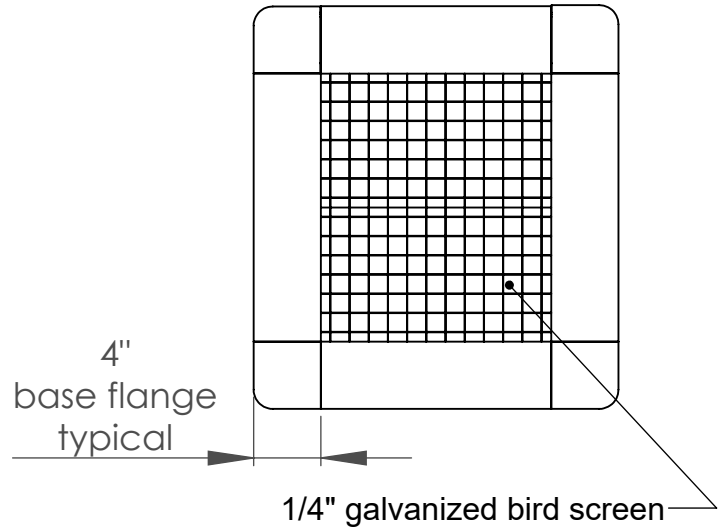


# Built Up Roof Vent (BUR) TPO

Part #	Size
600-2103TPO	6" X 6"
600-2100TPO	8" X 8"
600-2105TPO	12" X 12"
600-2110TPO	5" X 14"

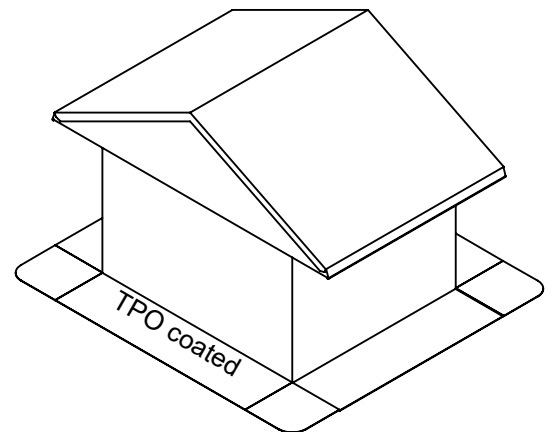


12" x 12" illustrated



## Features:

- TPO coated flange
- 26g galvanized
- 1/4" bird screen
- Custom sizes available by request



Innovative Ideas Since 1978

PROPRIETARY AND CONFIDENTIAL

DATE: 7/8/18

Part title & J#

THE INFORMATION CONTAINED IN THIS DRAWING IS THE SOLE PROPERTY OF MENZIES METAL PRODUCTS. ANY REPRODUCTION IN PART OR AS A WHOLE WITHOUT THE WRITTEN PERMISSION OF MENZIES METAL PRODUCTS IS PROHIBITED.

DRAWN BY: ZV

COMMENTS:

SIZE

DO NOT SCALE DRAWING

**A**

## Built Up Roof Vent (BUR) TPO

19370 - 60th Ave., Surrey, BC V3S 3M2  
 Ph: 604-530-0712  
 Fax: 604-530-8482  
[www.menzies-metal.com](http://www.menzies-metal.com)