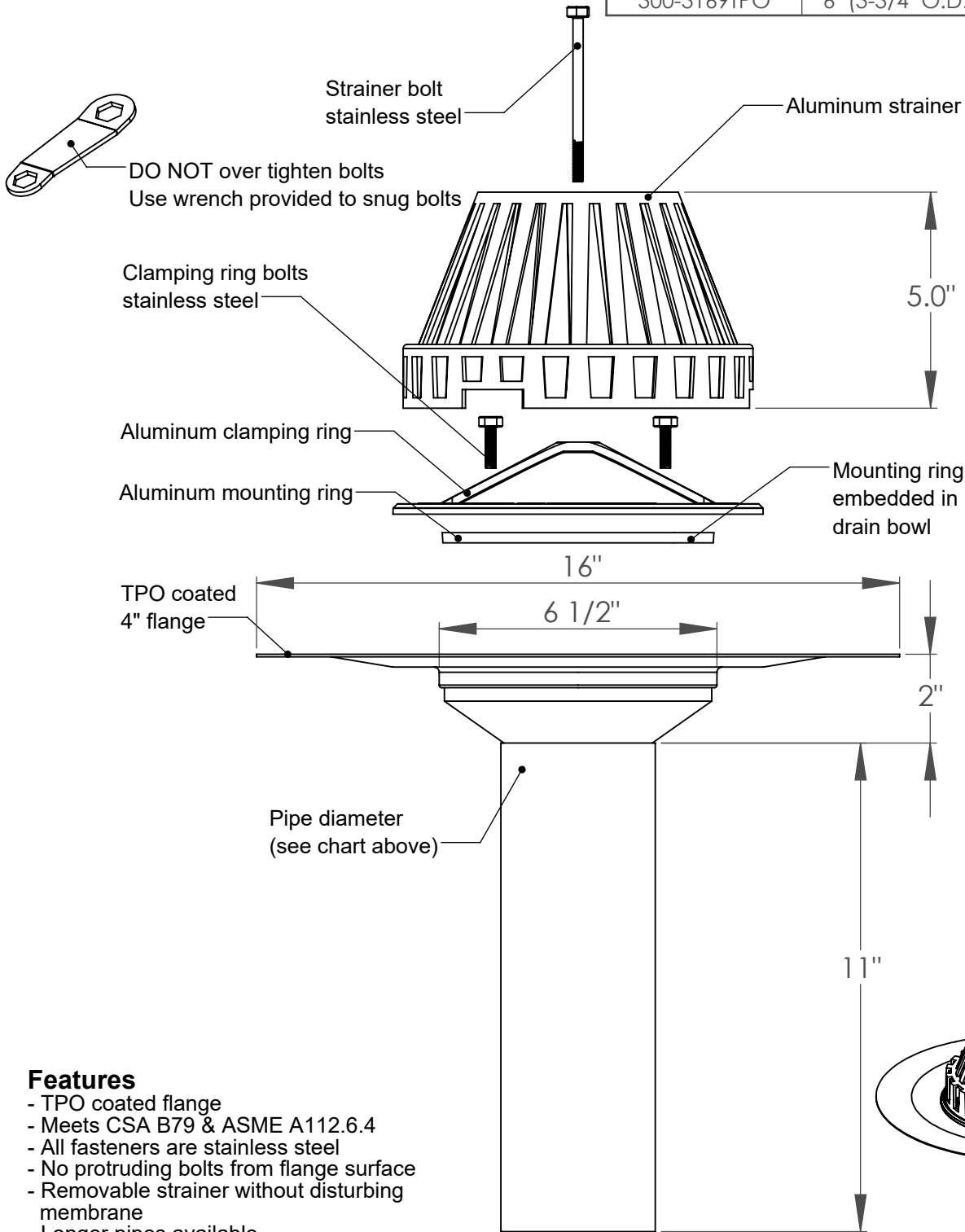


Clamp-Tite Spun Copper Drain TPO

Part #	Size	Weight
300-3165TPO	2" (1-3/4 O.D.)	4.03 lbs
300-3166TPO	3" (2-3/4" O.D.)	4.72 lbs
300-3167TPO	4" (3-3/4" O.D.)	6.05 lbs
300-3169TPO	6" (3-3/4" O.D.)	7.05 lbs



Features

- TPO coated flange
- Meets CSA B79 & ASME A112.6.4
- All fasteners are stainless steel
- No protruding bolts from flange surface
- Removable strainer without disturbing membrane
- Longer pipes available

Innovative Ideas Since 1978

PROPRIETARY AND CONFIDENTIAL

THE INFORMATION CONTAINED IN THIS DRAWING IS THE SOLE PROPERTY OF MENZIES METAL PRODUCTS. ANY REPRODUCTION IN PART OR AS A WHOLE WITHOUT THE WRITTEN PERMISSION OF MENZIES METAL PRODUCTS IS PROHIBITED.

DATE: 06/30/17

DRAWN BY: ZV

COMMENTS:

DO NOT SCALE DRAWING

Part title & J#

Clamp-Tite Spun Copper Drain TPO

SIZE

A



19370 - 60th Ave., Surrey, BC V3S 3M2

Ph: 604-530-0712

Fax: 604-530-8482

www.menzies-metal.com