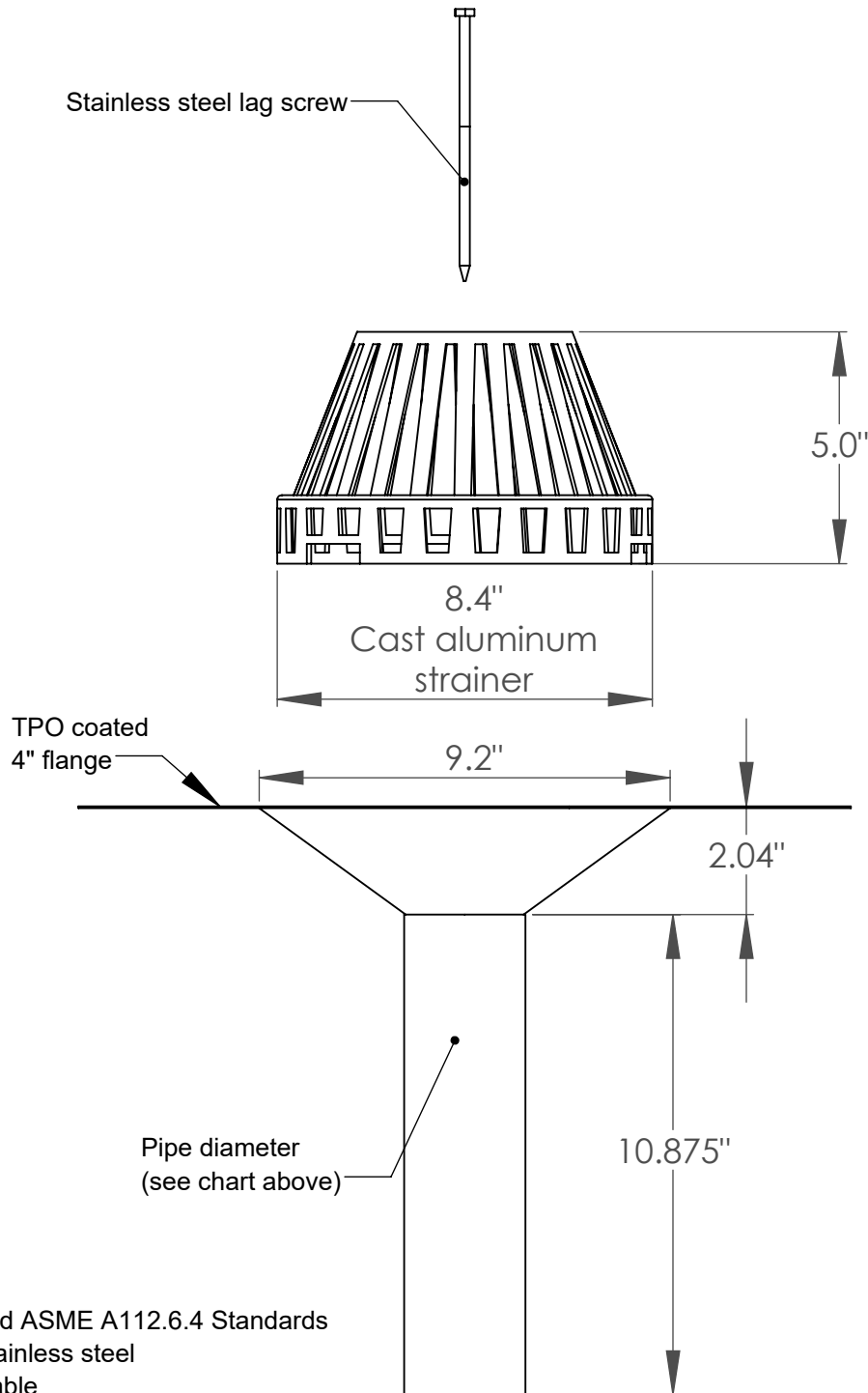


Commercial Spun Copper Drain TPO

Part #	Size	Pipe Diameter
		2" 3" 4"
300-3065TPO	2" (1-3/4" O.D.)	1.75" O.D. Fits 2"
300-3070TPO	3" (2-3/4" O.D.)	2.75" O.D. Fits 3"
300-3075TPO	4" (3-3/4" O.D.)	3.75" O.D. Fits 4"



Features

- TPO coated flange
- Meets CSA B79 and ASME A112.6.4 Standards
- All fasteners are stainless steel
- Longer pipes available

Innovative Ideas Since 1978

PROPRIETARY AND CONFIDENTIAL

THE INFORMATION CONTAINED IN THIS DRAWING IS THE SOLE PROPERTY OF MENZIES METAL PRODUCTS. ANY REPRODUCTION IN PART OR AS A WHOLE WITHOUT THE WRITTEN PERMISSION OF MENZIES METAL PRODUCTS IS PROHIBITED.

DATE: 06/30/17

DRAWN BY: ZV

COMMENTS:

DO NOT SCALE DRAWING

Part title & J#

Commercial Spun Copper Drain TPO

SIZE

A



19370 - 60th Ave., Surrey, BC V3S 3M2

Ph: 604-530-0712

Fax: 604-530-8482

www.menzies-metal.com