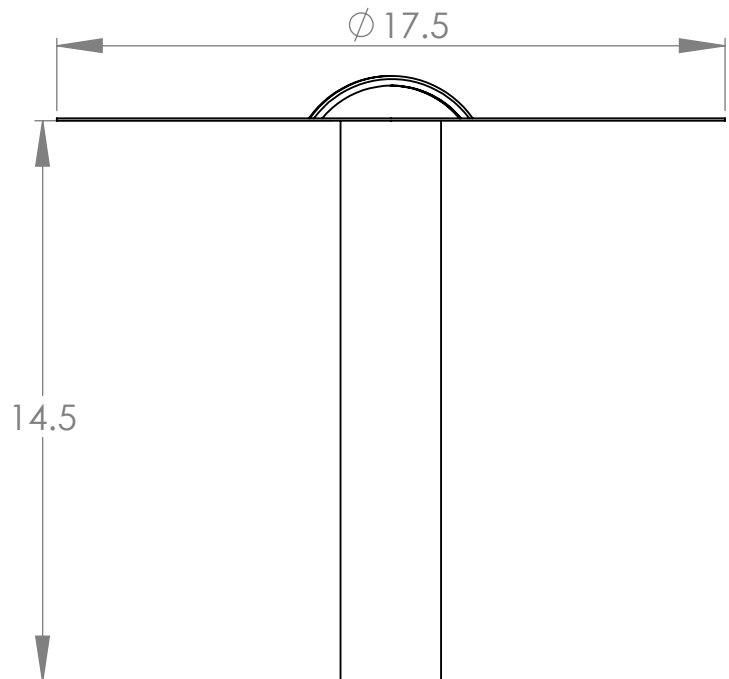
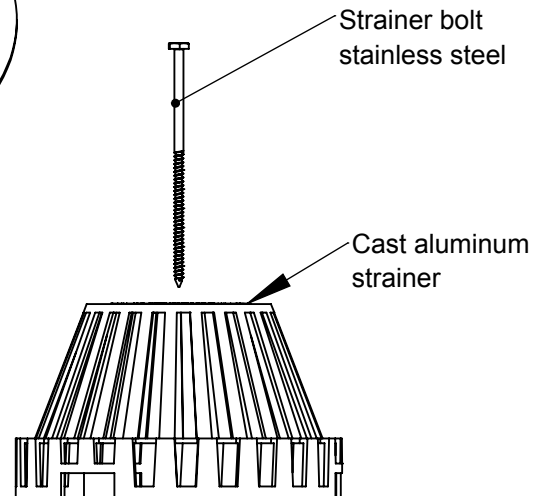
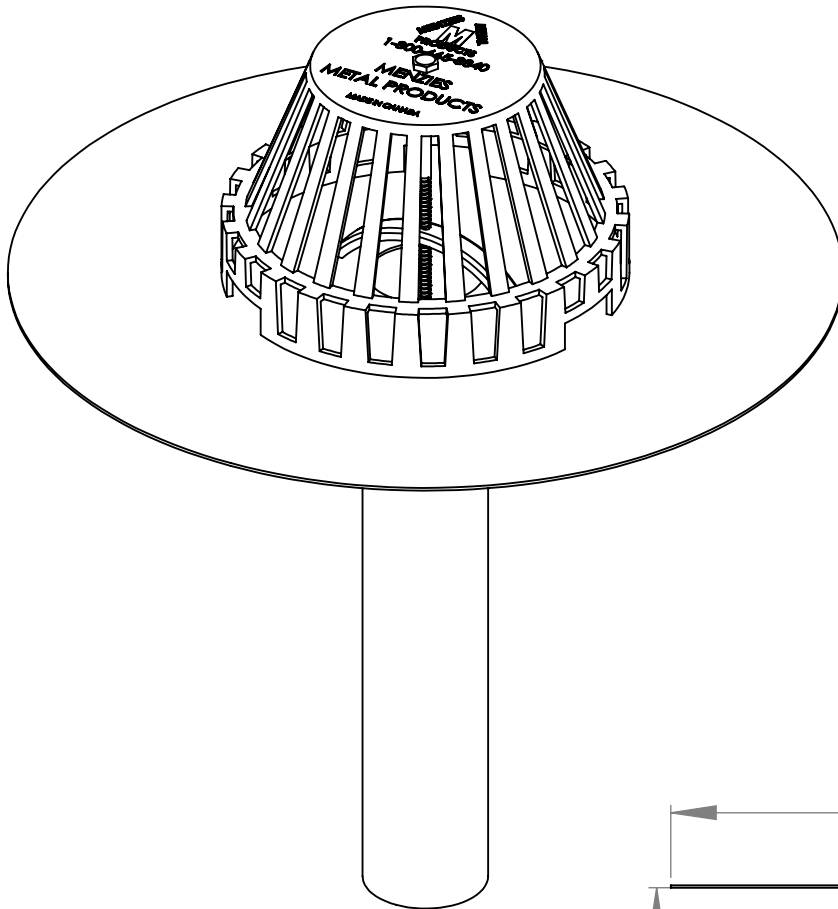


# Commercial Undersize Aluminum Drain

Part #	Size
300-3375	1 7/8 ( 2" )
300-3380	2 11/16 ( 3" )
300-3385	3 3/4 ( 4" )



## Features

- Used as insert drain inside existing insert drain where connections are difficult.
- Available in Menzies TPO Direct Weld™
- Longer pipes available

Innovative Ideas Since 1978

PROPRIETARY AND CONFIDENTIAL

THE INFORMATION CONTAINED IN THIS DRAWING IS THE SOLE PROPERTY OF MENZIES METAL PRODUCTS. ANY REPRODUCTION IN PART OR AS A WHOLE WITHOUT THE WRITTEN PERMISSION OF MENZIES METAL PRODUCTS IS PROHIBITED.

DATE: 12/17/2018

DRAWN BY: CHUON

COMMENTS:

NOT TO SCALE

Part title & J#

**Commercial Undersize Aluminum Drain**

SIZE

**A**



19370 - 60th Ave., Surrey, BC V3S 3M2  
 Ph: 604-530-0712  
 Fax: 604-530-8482  
[www.menzies-metal.com](http://www.menzies-metal.com)