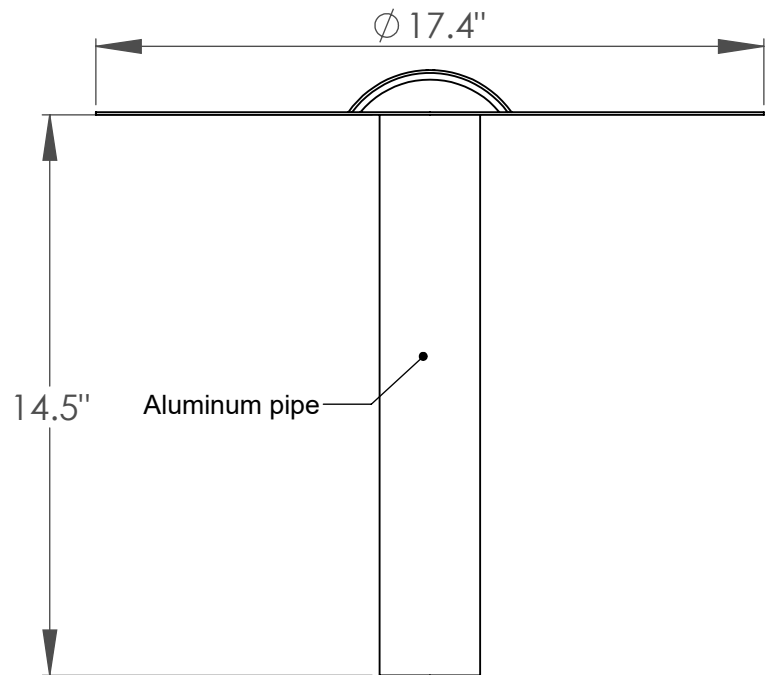
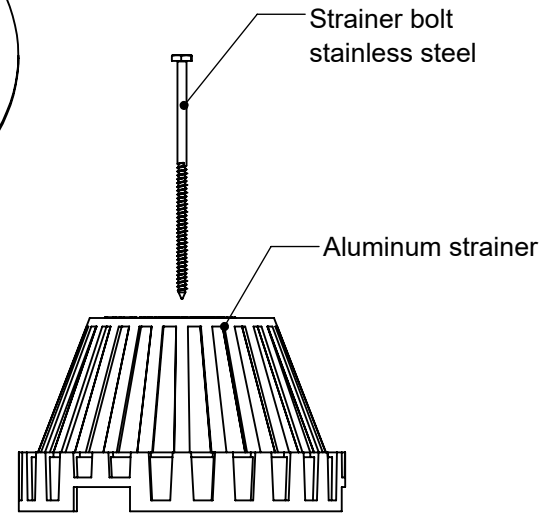
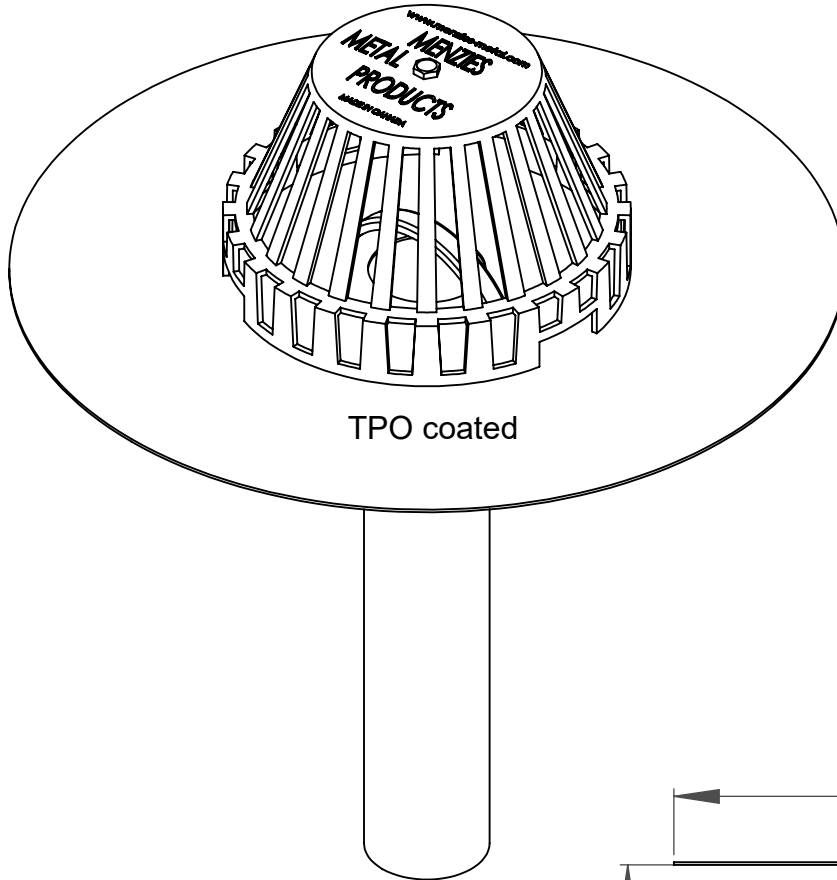


Commercial Undersize Aluminum Drain TPO

Part #	Size
300-3375TPO	1 5/8" (2")
300-3380TPO	2 5/8" (3")
300-3385TPO	3 5/8" (4")



Features

- TPO coated flange.
- Used as insert drain inside existing insert drain where connections are difficult.
- Longer pipes available

Innovative Ideas Since 1978

PROPRIETARY AND CONFIDENTIAL

THE INFORMATION CONTAINED IN THIS DRAWING IS THE SOLE PROPERTY OF MENZIES METAL PRODUCTS. ANY REPRODUCTION IN PART OR AS A WHOLE WITHOUT THE WRITTEN PERMISSION OF MENZIES METAL PRODUCTS IS PROHIBITED.

DATE: 07/01/17

DRAWN BY: ZV

COMMENTS:

DO NOT SCALE DRAWING

Part title & J#

Commercial Undersize Aluminum Drain TPO

SIZE

A



19370 - 60th Ave., Surrey, BC V3S 3M2

Ph: 604-530-0712

Fax: 604-530-8482

www.menzies-metal.com