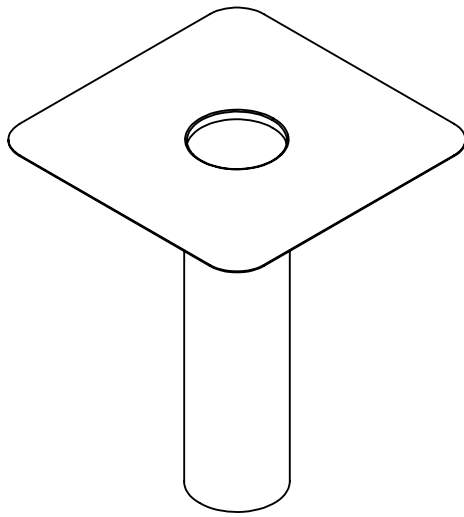
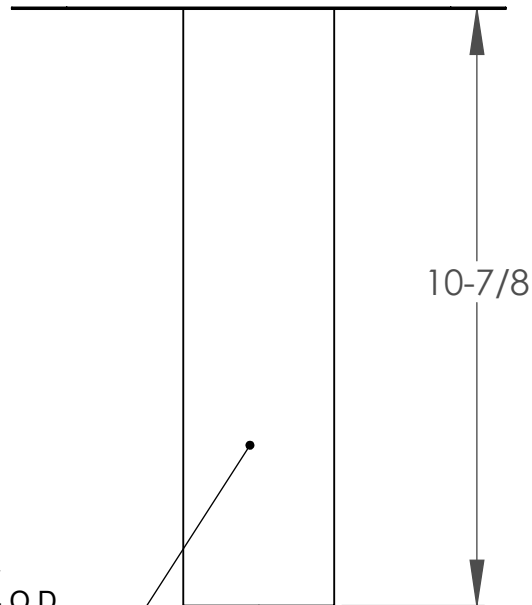
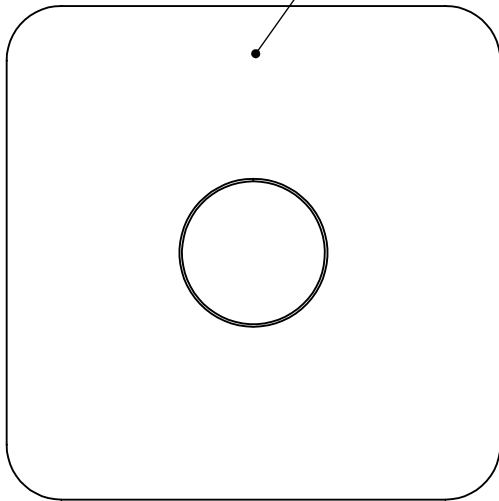


Econo Copper Drain

Part #	Description	Pcs/Ctn	Weight
300-3020	2" Hotweld	25	0.87 lbs/pc
300-3040	3" Hotweld	12	1.73 lbs/pc
300-3049	4" Hotweld	8	2.89lbs/pc



Copper flange
 2" drain 7" x 7"
 3" drain 9" x 9"
 4" drain 12" x 12"



Pipe diameter
 2" drain 1-3/4 O.D.
 3" drain 2-3/4 O.D.
 4" drain 3-3/4 O.D.

For use on overhang over non-heated areas

- Other sizes and extended pipe lengths (Special order)
- Available in TPO Direct Weld
- Longer pipes available

Innovative Ideas Since 1978

PROPRIETARY AND CONFIDENTIAL

THE INFORMATION CONTAINED IN THIS DRAWING IS THE SOLE PROPERTY OF MENZIES METAL PRODUCTS. ANY REPRODUCTION IN PART OR AS A WHOLE WITHOUT THE WRITTEN PERMISSION OF MENZIES METAL PRODUCTS IS PROHIBITED.

DATE: 07/05/17

DRAWN BY: ZV

COMMENTS:

DO NOT SCALE DRAWING

Part title & J#

SIZE

A



Econo Copper Drain

19370 - 60th Ave., Surrey, BC V3S 3M2
 Ph: 604-530-0712
 Fax: 604-530-8482
www.menzies-metal.com