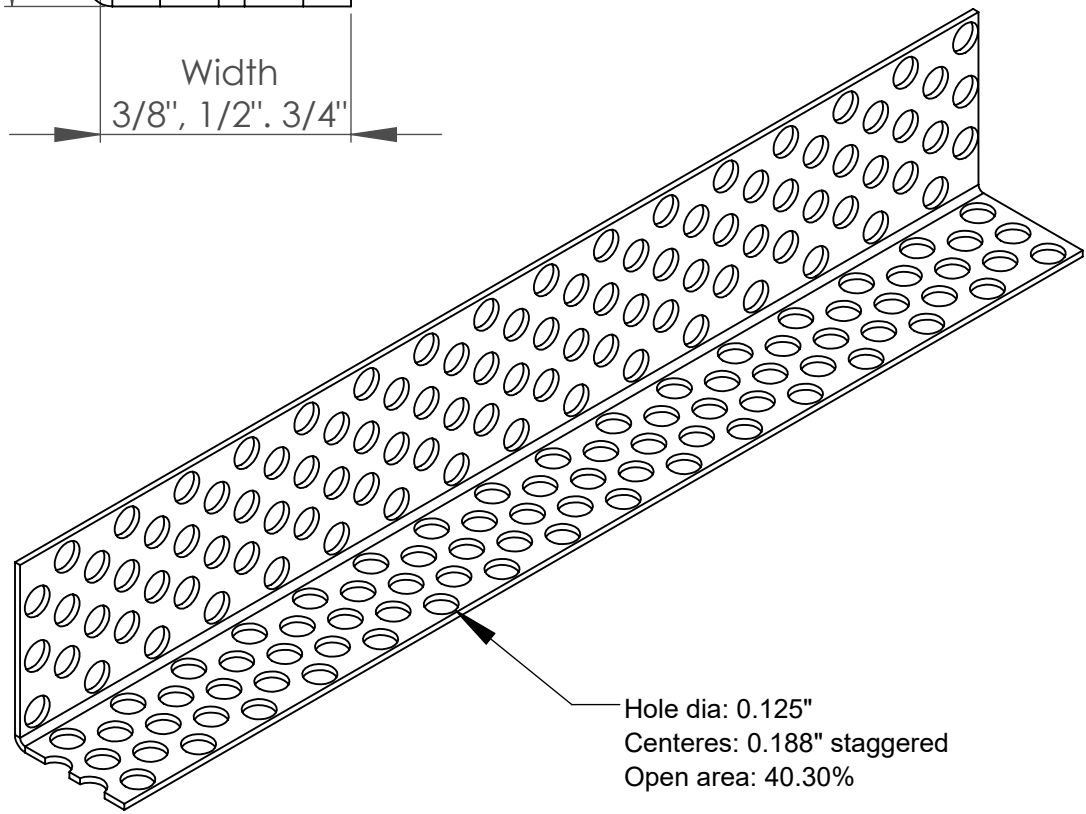
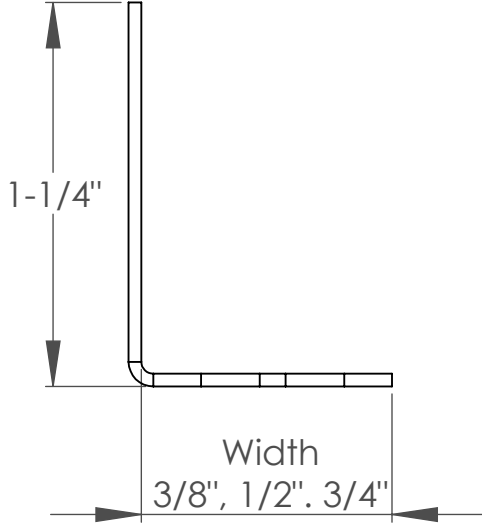


Perforated L Channel Rain Screen

Part #	Description	Gauge	Size
106-0956	Aluminum	0.032"	1-3/8" x 3/8" x 1/4"
106-0955	Aluminum	0.032"	1-3/8" x 1/2" x 1/4"
106-0954	Aluminum	0.032"	1-3/8" x 3/4" x 1/4"



Hole dia: 0.125"
 Centers: 0.188" staggered
 Open area: 40.30%

- Features:**
- For rainscreen walls
 - 1/8" x 7/32" staggered hole pattern
 - Custom sizes available upon request

Innovative Ideas Since 1978

PROPRIETARY AND CONFIDENTIAL

THE INFORMATION CONTAINED IN THIS DRAWING IS THE SOLE PROPERTY OF MENZIES METAL PRODUCTS. ANY REPRODUCTION IN PART OR AS A WHOLE WITHOUT THE WRITTEN PERMISSION OF MENZIES METAL PRODUCTS IS PROHIBITED.

DATE: 05/15/16
 DRAWN BY: ZV
 COMMENTS:
 DO NOT SCALE DRAWING

Part title & J#

Perforated L Channel Rain Screen

SIZE
A



19370 - 60th Ave., Surrey, BC V3S 3M2
 Ph: 604-530-0712
 Fax: 604-530-8482
www.menzies-metal.com