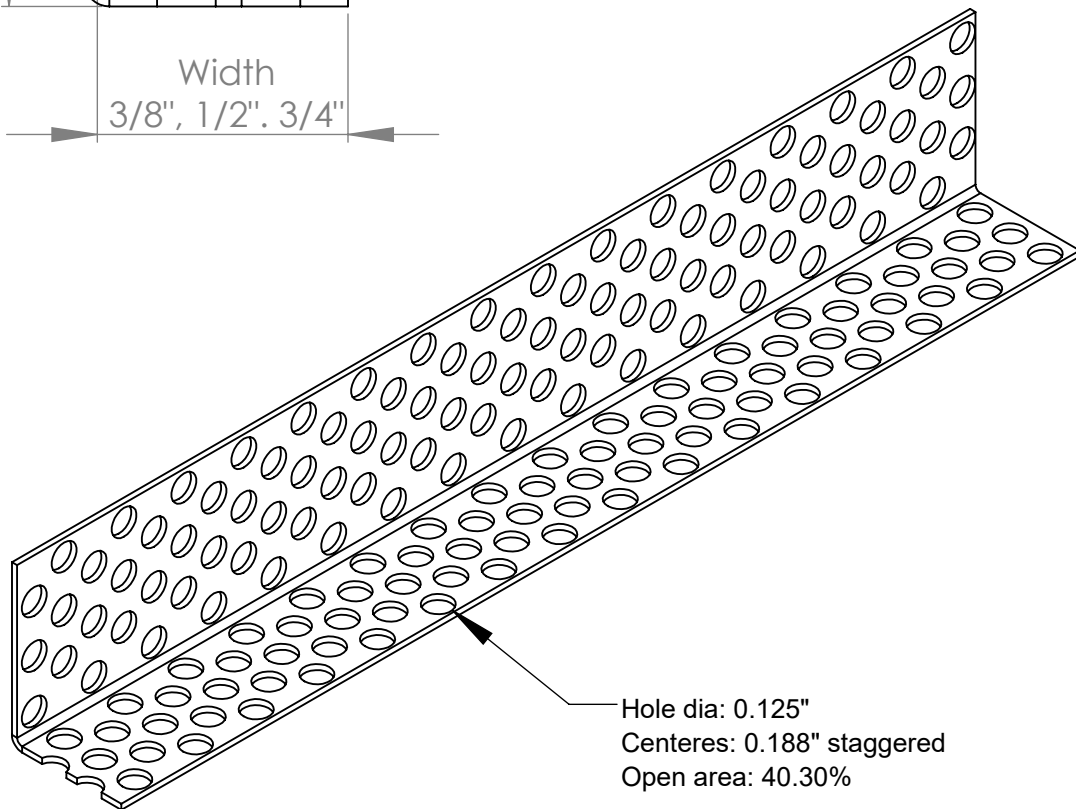
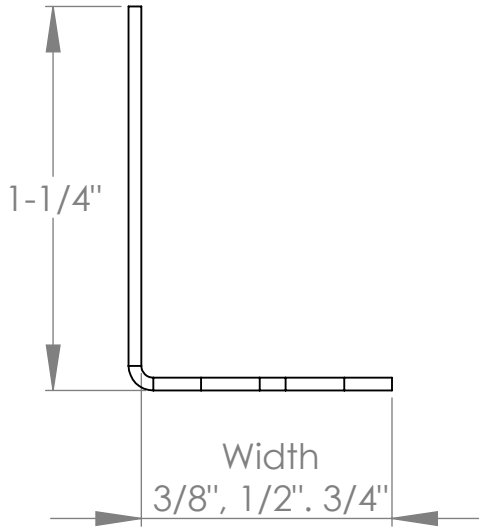


Perforated L Channel Rain Screen

Part #	Description	Gauge	Size
106-0960	Aluminum	0.032"	1-1/4" x 3/8"
106-0961	Aluminum	0.032"	1-1/4" x 1/2"
106-0962	Aluminum	0.032"	1-1/4" x 3/4"



Features:

- For rainscreen walls
- 1/8" x 7/32" staggered hole pattern
- Custom sizes available upon request

Innovative Ideas Since 1978

PROPRIETARY AND CONFIDENTIAL

THE INFORMATION CONTAINED IN THIS DRAWING IS THE SOLE PROPERTY OF MENZIES METAL PRODUCTS. ANY REPRODUCTION IN PART OR AS A WHOLE WITHOUT THE WRITTEN PERMISSION OF MENZIES METAL PRODUCTS IS PROHIBITED.

DATE: 01/06/21

DRAWN BY: ZV

COMMENTS:

DO NOT SCALE DRAWING

Part title & J#

Perforated L Channel Rain Screen

SIZE

A



19370 - 60th Ave., Surrey, BC V3S 3M2

Ph: 604-530-0712

Fax: 604-530-8482

www.menzies-metal.com