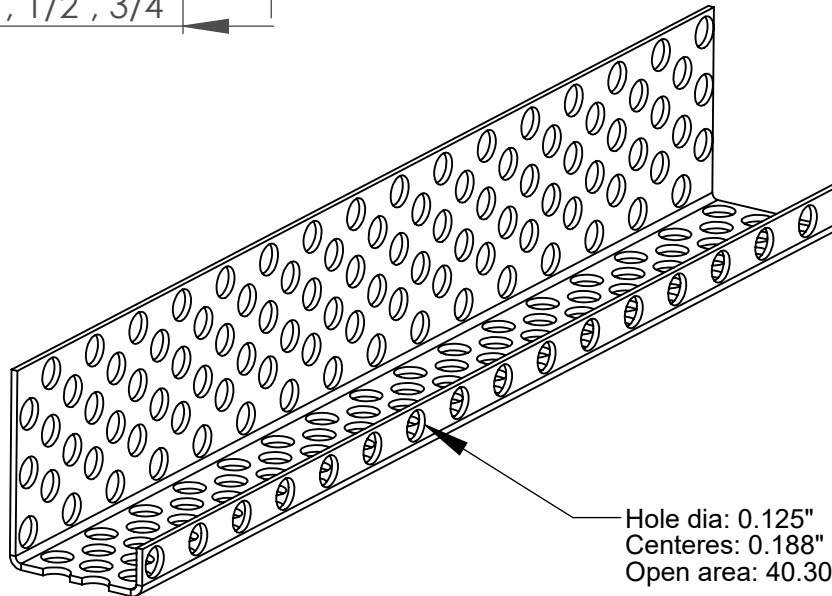
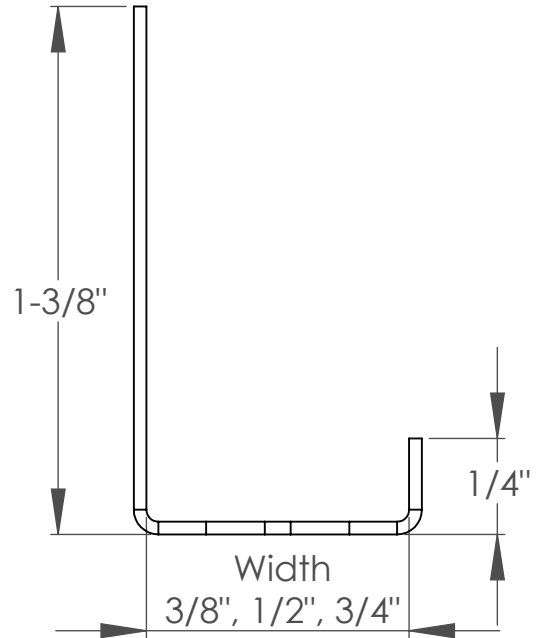
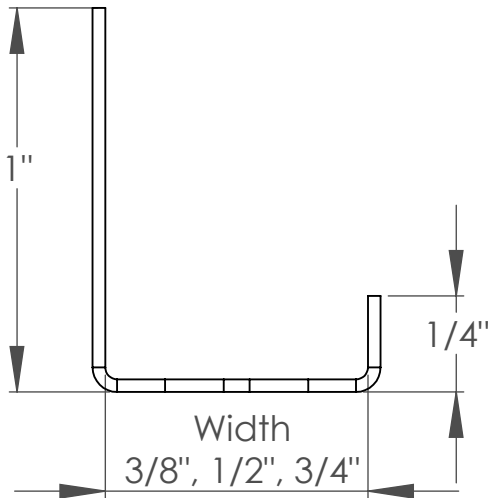


Part #	Description	Gauge	Size
106-0952	Aluminum	0.032"	1" x 3/8" x 1/4"
106-0951	Aluminum	0.032"	1" x 1/2" x 1/4"
106-0950	Aluminum	0.032"	1" x 3/4" x 1/4"
100-0952	Galvanized	22 ga	1" x 3/8" x 1/4"
100-0951	Galvanized	22 ga	1" x 1/2" x 1/4"
100-0950	Galvanized	22 ga	1" x 3/4" x 1/4"

Part #	Description	Gauge	Size
106-0956	Aluminum	0.032"	1-3/8" x 3/8" x 1/4"
106-0955	Aluminum	0.032"	1-3/8" x 1/2" x 1/4"
106-0954	Aluminum	0.032"	1-3/8" x 3/4" x 1/4"

HIGH BACK 1-3/8"
(Optional)

Perforated Rain Screen



Features:

- Meets 2006 BC Building Code
- For rainscreen walls
- 1/8" x 7/32" staggered hole pattern
- Custom sizes available upon request
- Available in aluminum or gal. steel

- Net free area (per 10 foot lengths):
- 3/8" - 5.1 sq. ft.
 - 1/2" - 7.1 sq. ft.
 - 3/4" - 10.7 sq. ft.

Innovative Ideas Since 1978

PROPRIETARY AND CONFIDENTIAL

THE INFORMATION CONTAINED IN THIS DRAWING IS THE SOLE PROPERTY OF MENZIES METAL PRODUCTS. ANY REPRODUCTION IN PART OR AS A WHOLE WITHOUT THE WRITTEN PERMISSION OF MENZIES METAL PRODUCTS IS PROHIBITED.

DATE: 05/15/16

DRAWN BY: ZV

COMMENTS:

DO NOT SCALE DRAWING

Part title & J#

Perforated Rain Screen

SIZE

A



19370 - 60th Ave., Surrey, BC V3S 3M2
Ph: 604-530-0712
Fax: 604-530-8482
www.menzies-metal.com