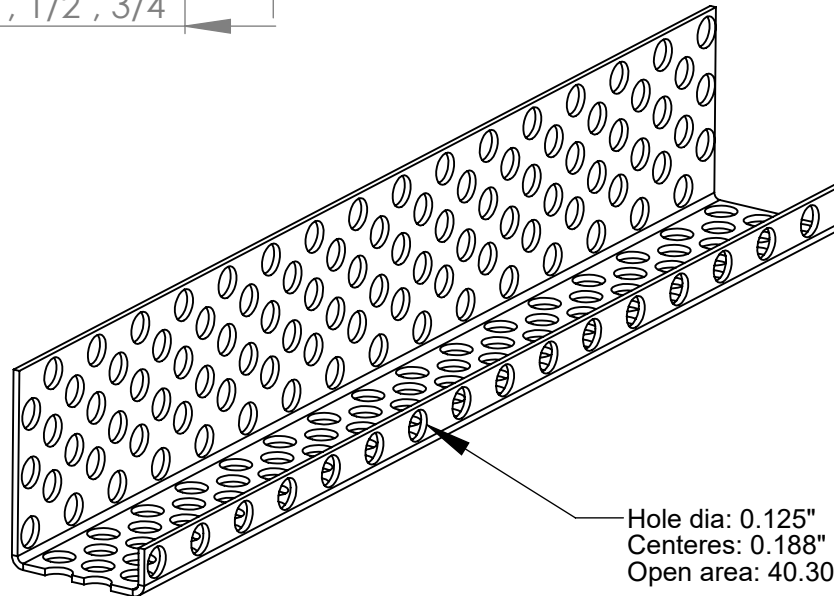
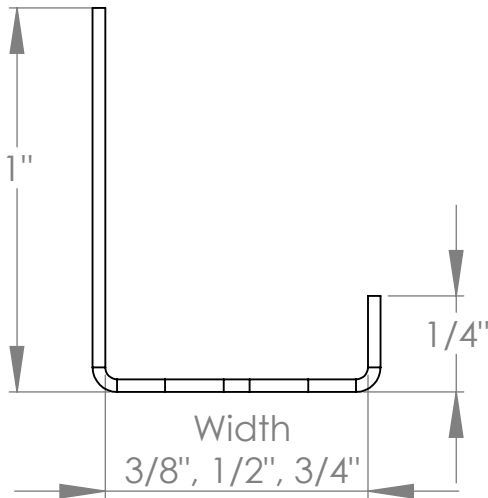


Part #	Description	Gauge	Size
106-0952	Aluminum	0.032"	1" x 3/8" x 1/4"
106-0951	Aluminum	0.032"	1" x 1/2" x 1/4"
106-0950	Aluminum	0.032"	1" x 3/4" x 1/4"
100-0952	Galvanized	22 ga	1" x 3/8" x 1/4"
100-0951	Galvanized	22 ga	1" x 1/2" x 1/4"
100-0950	Galvanized	22 ga	1" x 3/4" x 1/4"

Perforated Rain Screen



Features:

- Meets 2006 BC Building Code
- For rainscreen walls
- 1/8" x 7/32" staggered hole pattern
- Custom sizes available upon request
- Available in aluminum or gal. steel

- Net free area (per 10 foot lengths):
- 3/8" x 10' = 13.5sq. inches
 - 1/2" x 10' = 18sq inches
 - 3/4" x 10' = 27sq inches

Innovative Ideas Since 1978

PROPRIETARY AND CONFIDENTIAL

THE INFORMATION CONTAINED IN THIS DRAWING IS THE SOLE PROPERTY OF MENZIES METAL PRODUCTS. ANY REPRODUCTION IN PART OR AS A WHOLE WITHOUT THE WRITTEN PERMISSION OF MENZIES METAL PRODUCTS IS PROHIBITED.

DATE: 01/06/21

DRAWN BY: ZV

COMMENTS:

DO NOT SCALE DRAWING

Part title & J#

Perforated Rain Screen

SIZE

A



19370 - 60th Ave., Surrey, BC V3S 3M2

Ph: 604-530-0712

Fax: 604-530-8482

www.menzies-metal.com