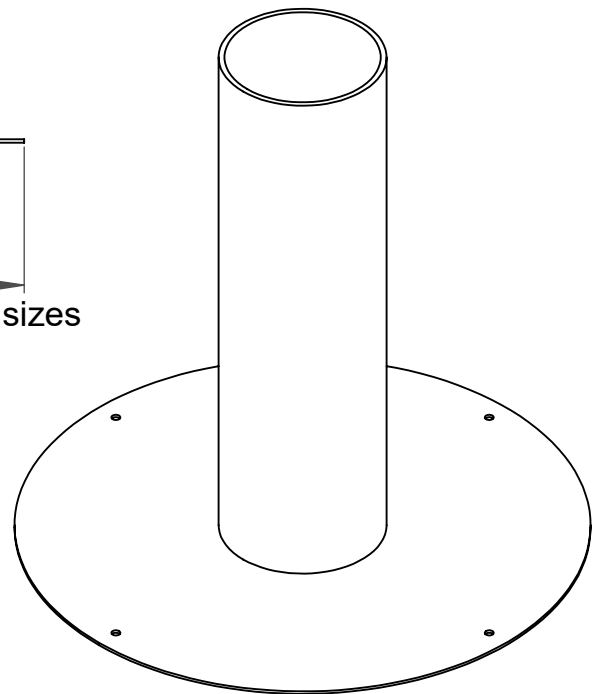
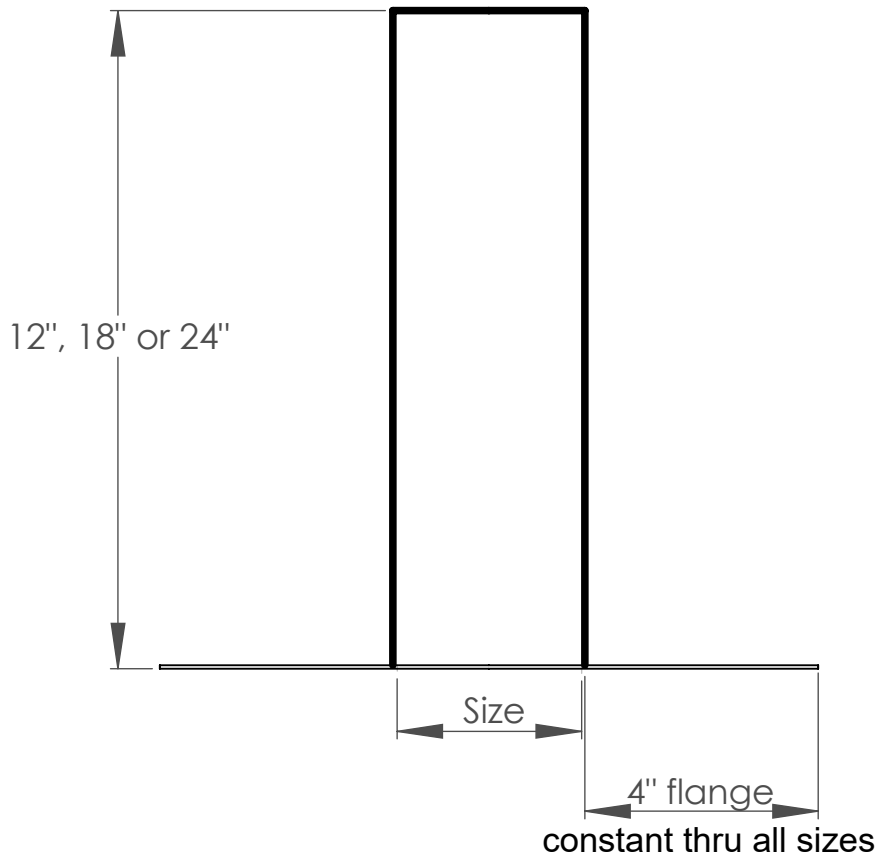


# Plumbing Stack Aluminum Welded

Part #	Size	Pipe ID	Pipe OD	Fits IP	Fits Copper
400-3105	1 - 1/4"	1 - 11/16"	1 - 7/8"	1-1/4"	1 - 1/2"
400-3110	1 - 1/2"	2 - 3/16"	2 - 3/8"	1-1/2"	2"
400-3115	2"	2 - 7/16"	2 - 11/16"	2"	-
400-3120	3"	3 - 9/16"	3 - 3/4"	3"	3"
400-3125	4"	4 - 9/16"	4 - 3/4"	4"	4"
400-3130	5"	5 - 7/16"	5 - 5/8"	5"	-
400-3131	6"	6 - 5/8"	6 - 7/8"	6"	-



## Features

- Meets CSA B272 and IAMPO PS 64 Standards
- Heavy aluminum extruded tube HOTWELDED to a round flange and pre-drilled for easy fastening
- Pitched available by request
- Custom stack sizes available by request
- I/P - iron/plastic pipe
- Available in TPO Direct Weld

Innovative Ideas Since 1978

PROPRIETARY AND CONFIDENTIAL

THE INFORMATION CONTAINED IN THIS DRAWING IS THE SOLE PROPERTY OF MENZIES METAL PRODUCTS. ANY REPRODUCTION IN PART OR AS A WHOLE WITHOUT THE WRITTEN PERMISSION OF MENZIES METAL PRODUCTS IS PROHIBITED.

DATE: 05/15/18

DRAWN BY: ZV

COMMENTS:

DO NOT SCALE DRAWING

Part title & J#

**Plumbing Stack Aluminum Welded**

SIZE

**A**



19370 - 60th Ave., Surrey, BC V3S 3M2  
Ph: 604-530-0712  
Fax: 604-530-8482  
[www.menzies-metal.com](http://www.menzies-metal.com)