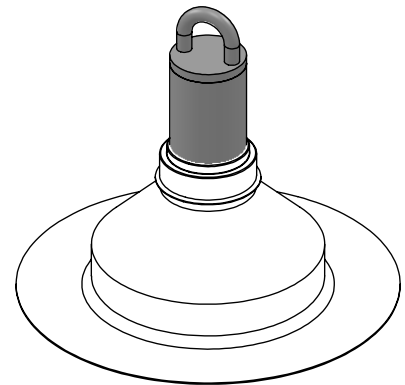
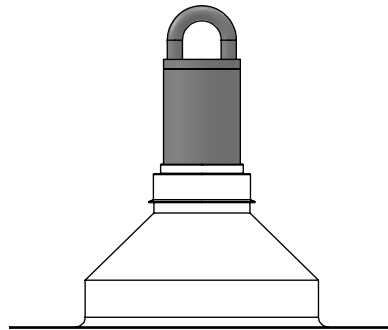
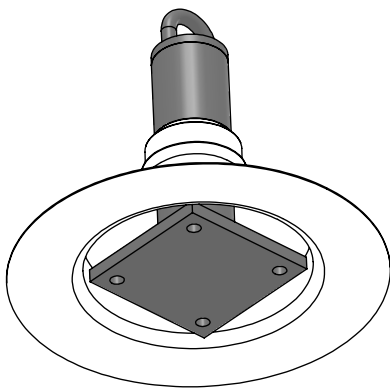
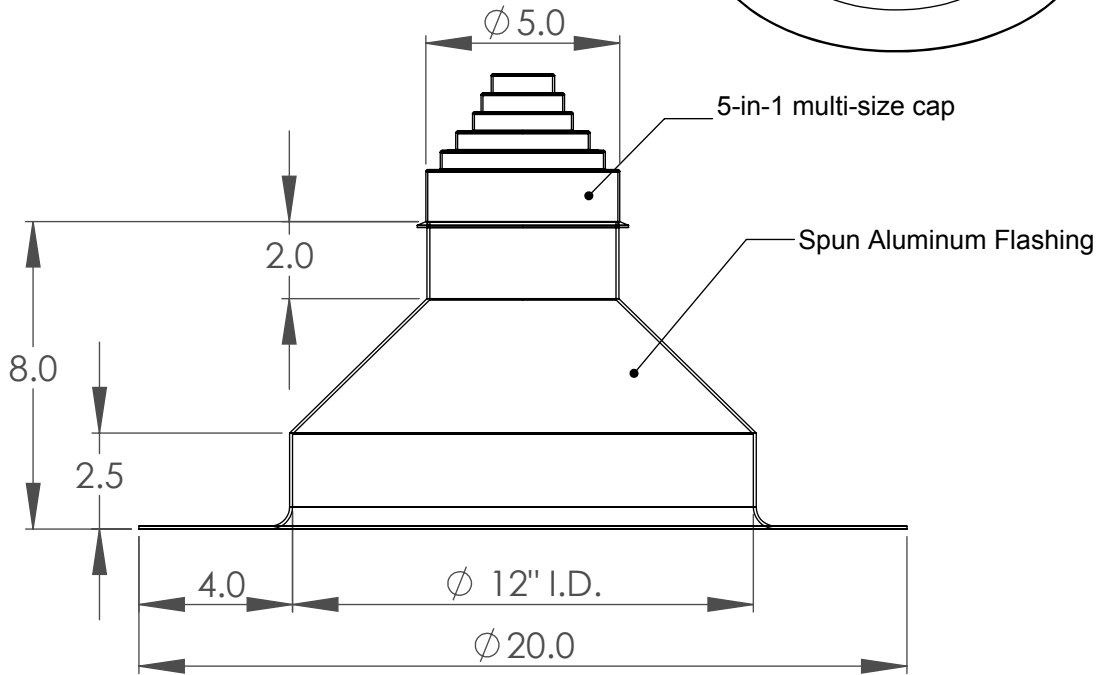
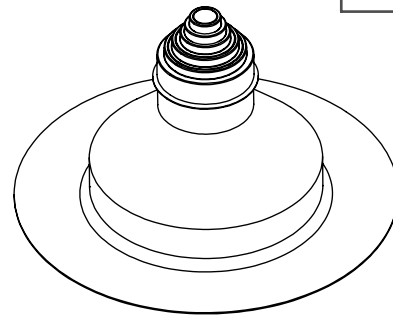


Part #  
400-4400

# Roof Anchor Flashing



NOTE: ROOF ANCHOR SUPPLIED BY OTHERS

## Features:

- Spun from one piece heavy gauge aluminum
- Raised center to house anchor
- Large flange for optimum seal
- Water tight rubber top to seal anchor
- Fit multiple sizes

Innovative Ideas Since 1978

### PROPRIETARY AND CONFIDENTIAL

THE INFORMATION CONTAINED IN THIS DRAWING IS THE SOLE PROPERTY OF MENZIES METAL PRODUCTS. ANY REPRODUCTION IN PART OR AS A WHOLE WITHOUT THE WRITTEN PERMISSION OF MENZIES METAL PRODUCTS IS PROHIBITED.

DATE: 03/29/16

DRAWN BY: ZV

COMMENTS:

DO NOT SCALE DRAWING

Part title & J#

SIZE

A



## Roof Anchor Flashing

19370 - 60th Ave., Surrey, BC V3S 3M2  
Ph: 604-530-0712  
Fax: 604-530-8482  
[www.menzies-metal.com](http://www.menzies-metal.com)