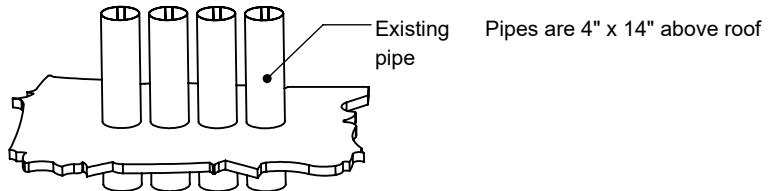


MENZIES SL5000 VENT STACK DRYER/BATHROOM INSTALLATION INSTRUCTIONS

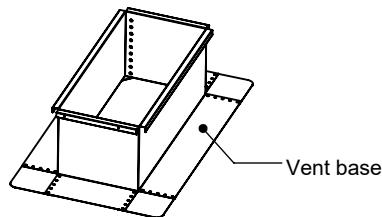
This vent is specifically designed for dryer/ bathroom vent multiple stack applications, to prevent condensation from occurring inside the vent body adjacent to the vent pipes.

Important: Read Instructions Before Installation.

1. Extend existing vent pipes vertically from roof deck 14" and seal joints at deck level.

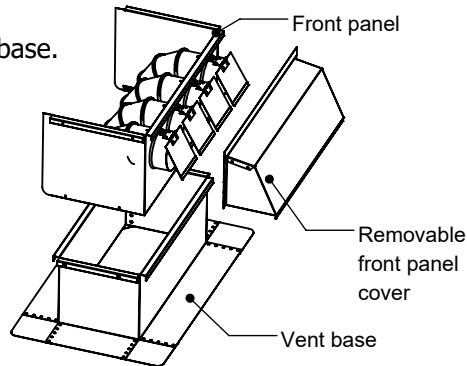


2. Install SL5000 vent base.



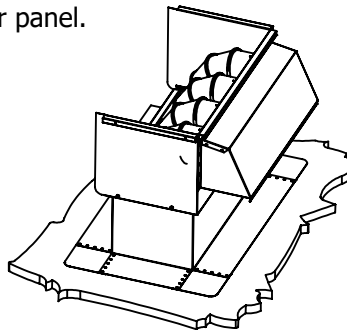
3. Fill open area inside vent base with insulation, being sure to insulate each pipe (insulation supplied by others).

4. Screw U shape front panel to the base.



5. Connect adjustable elbows to the vertical pipes in the vent base.

6. Slide in and screw attach rear panel.



7. Fill remaining open area in top enclosure with insulation.

8. Attach and screw in vent lid.

