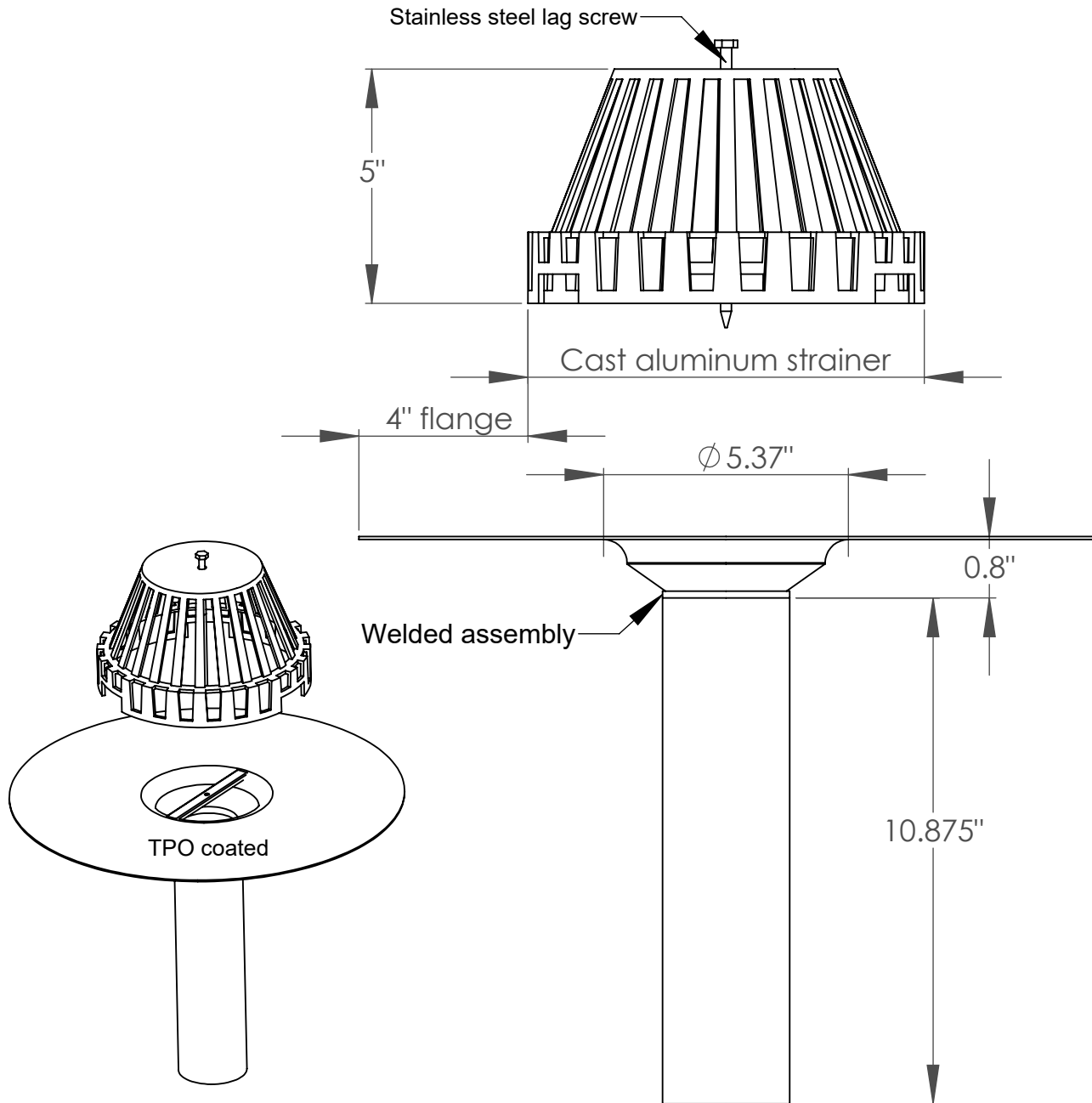


Spun Aluminum Value Drain TPO

Part #	Size
300-3350TPO	2" (1-7/8" O.D.)
300-3352TPO	3" (2-3/4" O.D.)
300-3354TPO	4" (3-3/4" O.D.)



Features

- TPO coated flange
- Meets CSA B79 & ASME A112.6.4 Standards
- All fasteners are stainless steel
- 5" and 6" drains available by request
- Longer pipes available

Innovative Ideas Since 1978

PROPRIETARY AND CONFIDENTIAL

THE INFORMATION CONTAINED IN THIS DRAWING IS THE SOLE PROPERTY OF MENZIES METAL PRODUCTS. ANY REPRODUCTION IN PART OR AS A WHOLE WITHOUT THE WRITTEN PERMISSION OF MENZIES METAL PRODUCTS IS PROHIBITED.

DATE: 07/01/17

DRAWN BY: ZV

COMMENTS:

DO NOT SCALE DRAWING

Part title & J#

Spun Aluminum Value Drain TPO

SIZE

A



19370 - 60th Ave., Surrey, BC V3S 3M2

Ph: 604-530-0712

Fax: 604-530-8482

www.menzies-metal.com