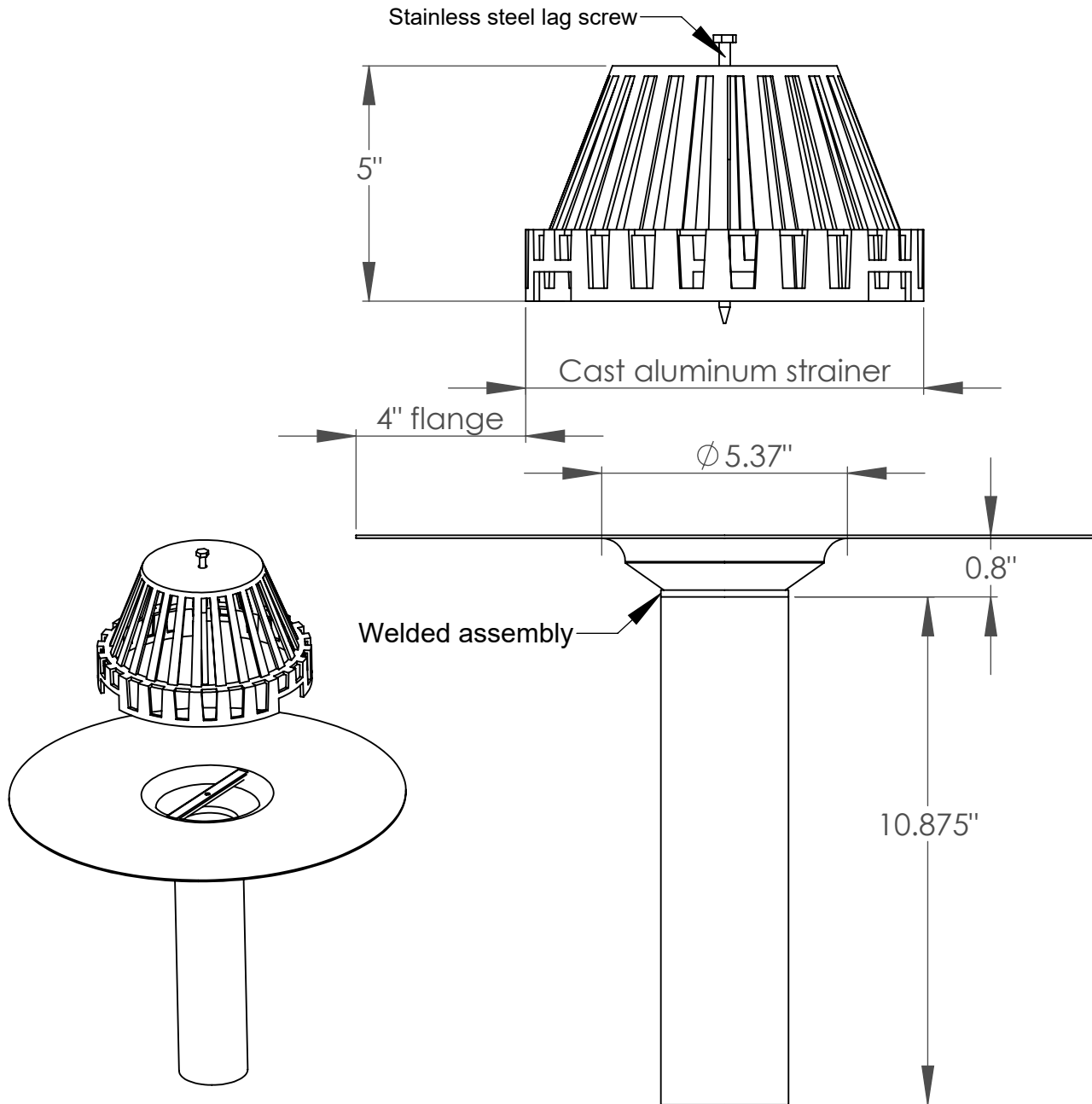


Spun Aluminum Value Drain

| Part # | Size |
|----------|------------------|
| 300-3350 | 2" (1-7/8" O.D.) |
| 300-3352 | 3" (2-3/4" O.D.) |
| 300-3354 | 4" (3-3/4" O.D.) |



Features

- Meets CSA B79 & ASME A112.6.4 Standards
- All fasteners are stainless steel
- 5" and 6" drains available by request
- Available in TPO Direct Weld
- Longer pipes available

Innovative Ideas Since 1978

PROPRIETARY AND CONFIDENTIAL

THE INFORMATION CONTAINED IN THIS DRAWING IS THE SOLE PROPERTY OF MENZIES METAL PRODUCTS. ANY REPRODUCTION IN PART OR AS A WHOLE WITHOUT THE WRITTEN PERMISSION OF MENZIES METAL PRODUCTS IS PROHIBITED.

DATE: 07/05/17

DRAWN BY: ZV

COMMENTS:

DO NOT SCALE DRAWING

Part title & J#

Spun Aluminum Value Drain

SIZE

A



19370 - 60th Ave., Surrey, BC V3S 3M2

Ph: 604-530-0712

Fax: 604-530-8482

www.menzies-metal.com