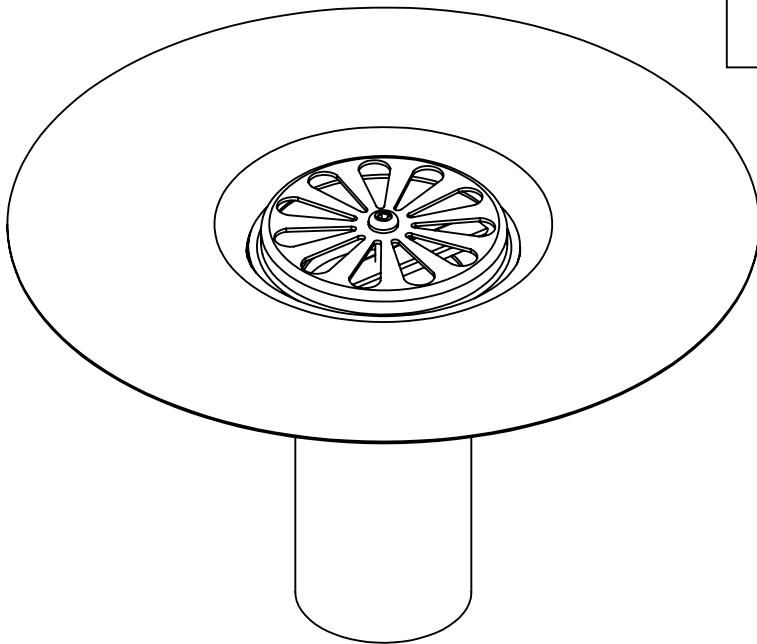
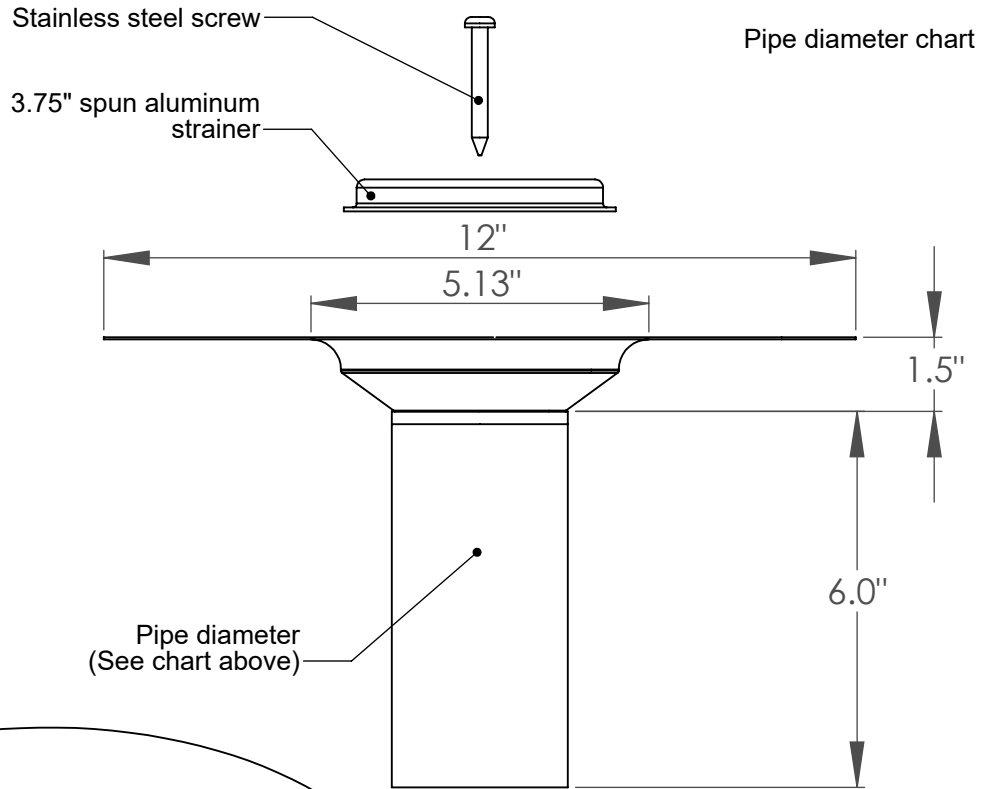


# Spun Copper Deck Drain

Part #	Size	Weight
300-3220	2" (1-3/4" O.D.)	1.55 lbs/pc
300-3222	2" (2" D.W.V.)	1.80 lbs/pc
300-3223	3" (2-3/4" O.D.)	1.75 lbs/pc



## Features

- Meets CSA B79 & ASME A112.6.4 Standards (300-3220 & 300-3222)
- All fasteners are stainless steel
- Available in TPO Direct Weld
- Longer pipes available

Innovative Ideas Since 1978

PROPRIETARY AND CONFIDENTIAL

THE INFORMATION CONTAINED IN THIS DRAWING IS THE SOLE PROPERTY OF MENZIES METAL PRODUCTS. ANY REPRODUCTION IN PART OR AS A WHOLE WITHOUT THE WRITTEN PERMISSION OF MENZIES METAL PRODUCTS IS PROHIBITED.

DATE: 07/05/17

DRAWN BY: ZV

COMMENTS:

DO NOT SCALE DRAWING

Part title & J#

SIZE

**A**



**Spun Copper Deck Drain**

19370 - 60th Ave., Surrey, BC V3S 3M2

Ph: 604-530-0712

Fax: 604-530-8482

[www.menzies-metal.com](http://www.menzies-metal.com)