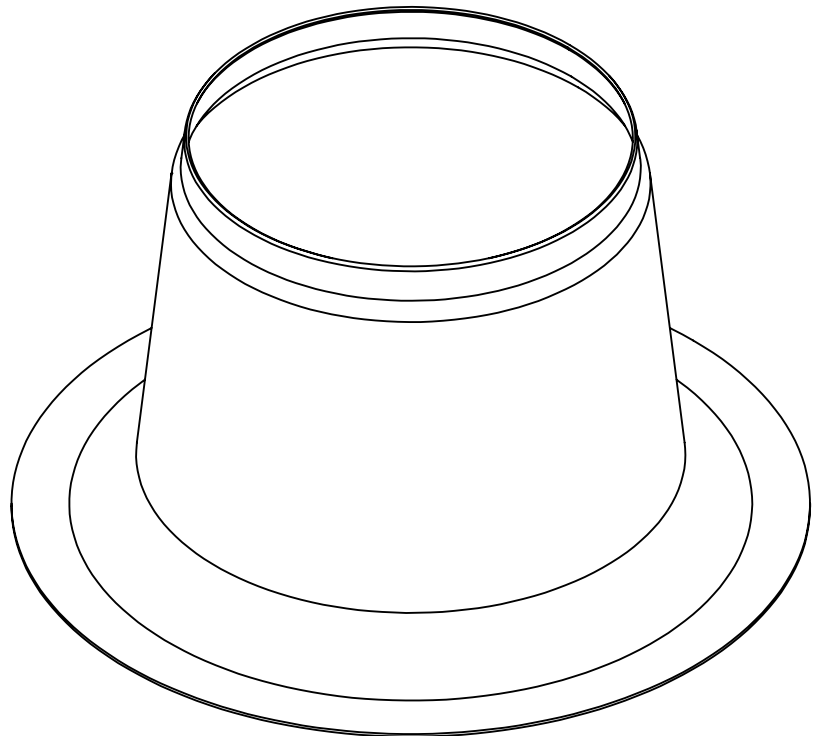
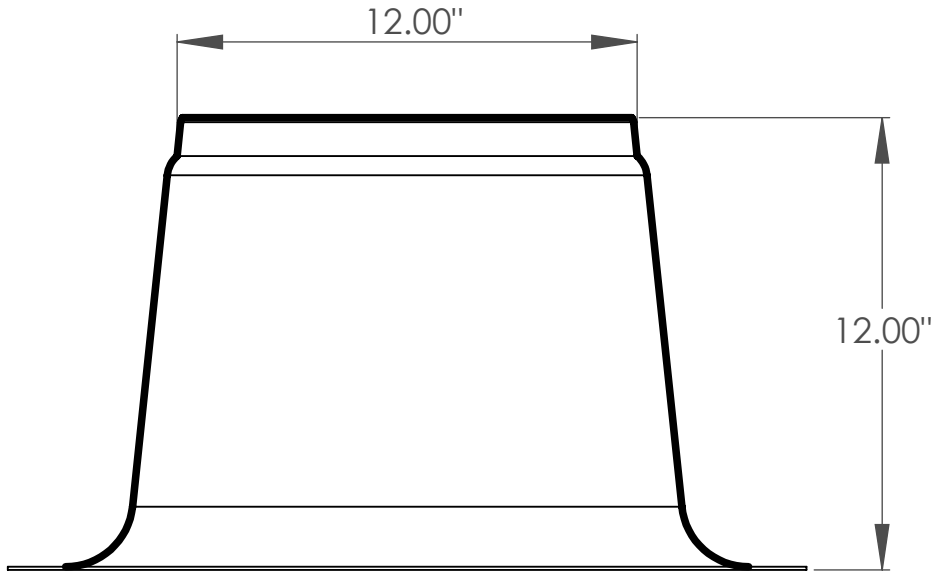


# Turbine Base Spun Aluminum TPO

TPO Direct Weld  
Part #  
600-2560TPO



## Features

- Aluminum body TPO coated
- For flat roof only
- Size 12" only
- 4" roof flange

Innovative Ideas Since 1978

PROPRIETARY AND CONFIDENTIAL

THE INFORMATION CONTAINED IN THIS DRAWING IS THE SOLE PROPERTY OF MENZIES METAL PRODUCTS. ANY REPRODUCTION IN PART OR AS A WHOLE WITHOUT THE WRITTEN PERMISSION OF MENZIES METAL PRODUCTS IS PROHIBITED.

DATE: 04/02/16

DRAWN BY: ZV

COMMENTS:

DO NOT SCALE DRAWING

Part title & J#

**Turbine Base Spun Aluminum TPO**

SIZE

**A**



19370 - 60th Ave., Surrey, BC V3S 3M2

Ph: 604-530-0712

Fax: 604-530-8482

[www.menzies-metal.com](http://www.menzies-metal.com)