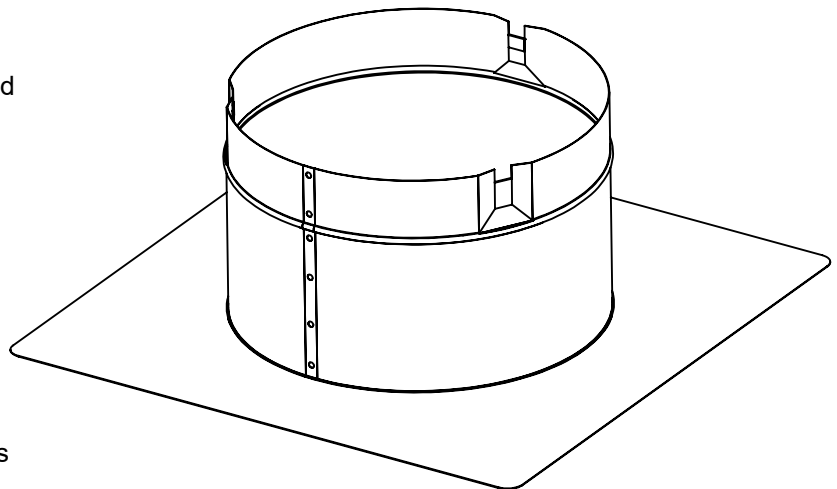
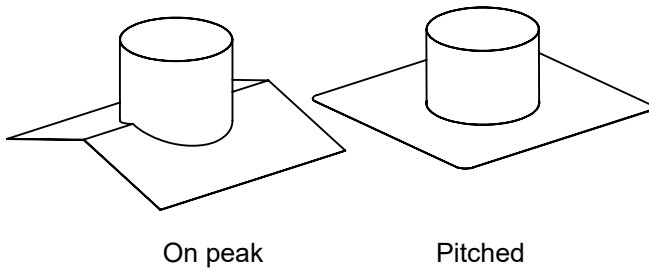
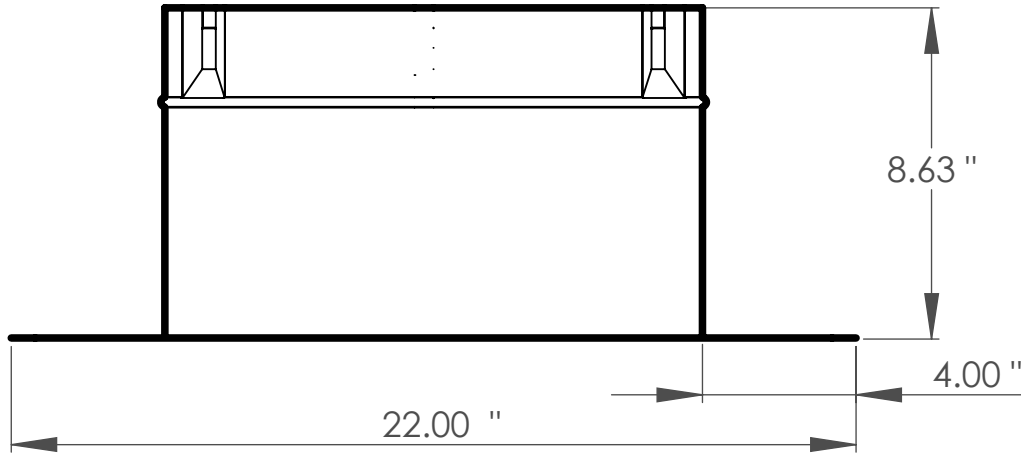


# Turbine Base Galvanized

Part #	Size	Weight
600-2520	12" Galvanized Flat	3.60 lbs
600-2525	12" Galvanized Pitched	-
600-2540	14" Galvanized Flat	4.15 lbs
600-2545	14" Galvanized Pitched	3.60 lbs
600-2547	14" Galvanized on Peak	-



## Features

- HOTWELD for torch-on roofing applications
- Available for flat, pitched or on peak
- Specify pitch when ordering
- 4" roof flange
- Also available in TPO Direct Weld (flat roof only)

Innovative Ideas Since 1978

PROPRIETARY AND CONFIDENTIAL

THE INFORMATION CONTAINED IN THIS DRAWING IS THE SOLE PROPERTY OF MENZIES METAL PRODUCTS. ANY REPRODUCTION IN PART OR AS A WHOLE WITHOUT THE WRITTEN PERMISSION OF MENZIES METAL PRODUCTS IS PROHIBITED.

DATE: 05/10/16

DRAWN BY: ZV

COMMENTS:

DO NOT SCALE DRAWING

Part title & J#

**Turbine Base Galvanized**

SIZE

**A**



19370 - 60th Ave., Surrey, BC V3S 3M2

Ph: 604-530-0712

Fax: 604-530-8482

[www.menzies-metal.com](http://www.menzies-metal.com)