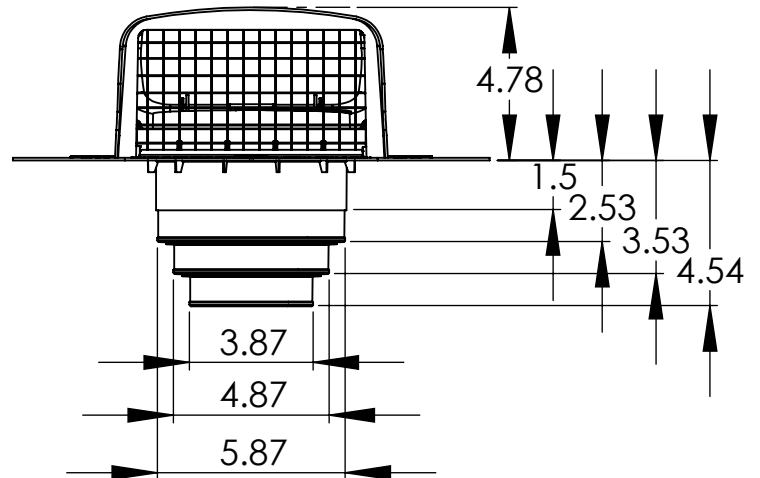
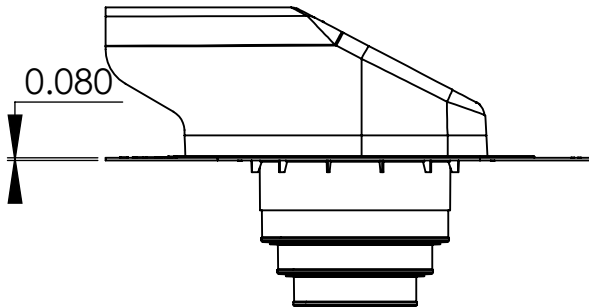
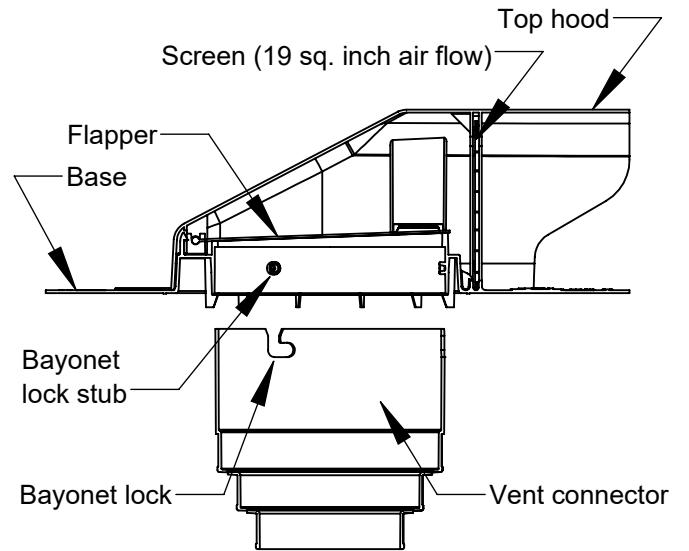
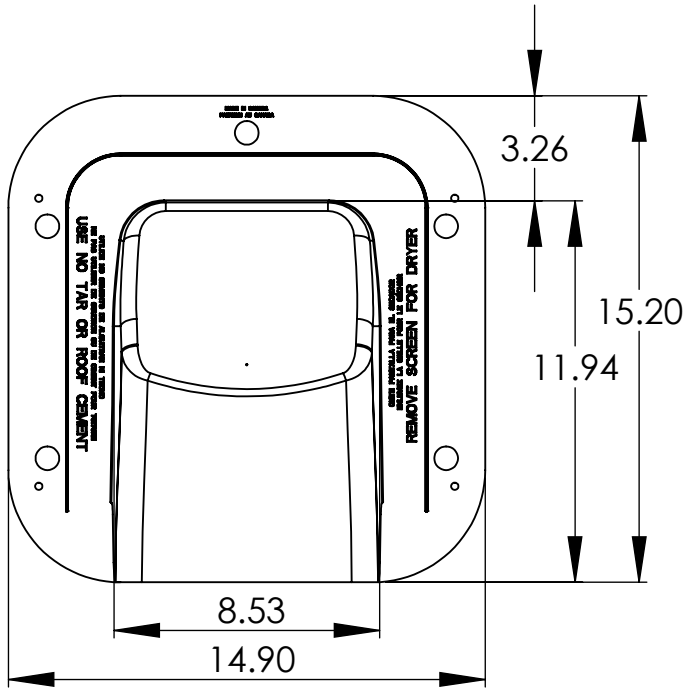


# UV456

Part #	Size	Color	Weight
601-1540	Fits 4", 5", 6"	Black	1.60 lbs
601-1545	Fits 4", 5", 6"	Dark Brown	1.60 lbs
601-1550	Fits 4", 5", 6"	Light Brown	1.60 lbs
601-1555	Fits 4", 5", 6"	Grey	1.60 lbs
601-1560	Fits 4", 5", 6"	Wood Grey	1.60 lbs



## Features

- One vent fits 4", 5" and 6" pipe connections.
- The vent and adaptor are two separate parts, allowing the installer to connect the pipe on the ground and then insert it into the vent easily.
- Nylon pipe strap included.
- Listed by QAI to meet CAN3-A93 and IAMPO PS 64 Standards.

Innovative Ideas Since 1978

PROPRIETARY AND CONFIDENTIAL

DATE: 6/11/16

Part title & J#

THE INFORMATION CONTAINED IN THIS DRAWING IS THE SOLE PROPERTY OF MENZIES METAL PRODUCTS. ANY REPRODUCTION IN PART OR AS A WHOLE WITHOUT THE WRITTEN PERMISSION OF MENZIES METAL PRODUCTS IS PROHIBITED.

DRAWN BY: ZV

COMMENTS:

DO NOT SCALE DRAWING

SIZE

A



**UV456 Universal Bathroom/Dryer Vent**

19370 - 60th Ave., Surrey, BC V3S 3M2  
Ph: 604-530-0712  
Fax: 604-530-8482  
[www.menzies-metal.com](http://www.menzies-metal.com)